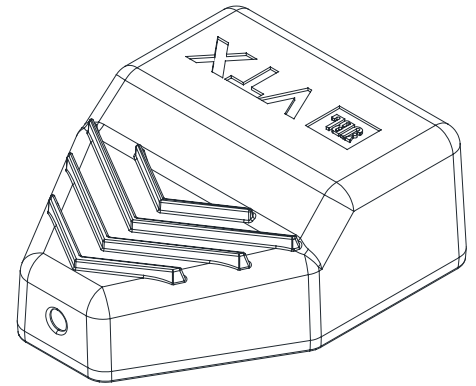


VTX-LZ | Laser

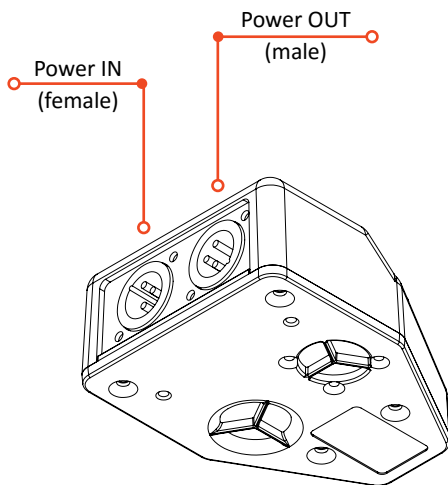
Features:

- Class 3R green laser for use with VTX or VERTEC Systems
- 3-Pin XLR IN and OUT connectors for power supply connectivity and for powering multiple VTX-LZ units
- Up to 10x VTX-LZ can be powered by 1 x VTX-PS
- Mount brackets available for VTX and VERTEC systems (sold separately)
- Fan-cooled for extended laser lifetime

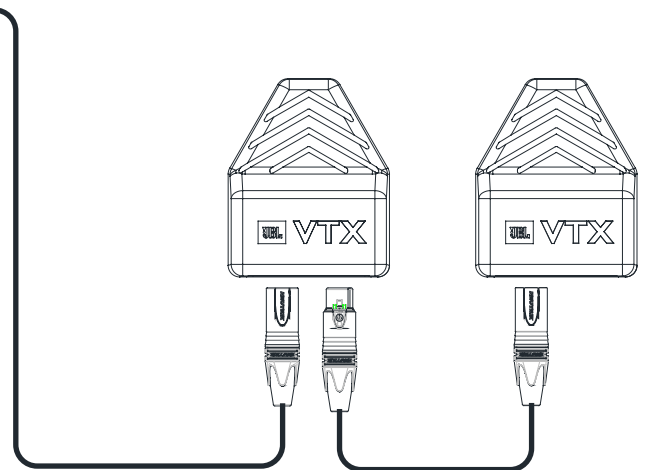


Description:

The VTX-LZ laser unit has been designed to securely attach to VTX or VERTEC line array systems using cabinet specific Mount Bracket (MB) accessories (supplied separately). When energized using the VTX-LZ-PS power supply unit, VTX-LZ generates a flashing bright green ray of light on-axis with the center of the loudspeaker enclosure that it is attached to. This provides an accurate site angle reference for system installation or measurement microphone placement for system tuning. Green lasers are significantly brighter than red lasers, allowing the VTX-LZ laser to be used over long distances indoors or outdoors. The VTX-LZ includes IN and OUT (Female / Male) 3-Pin XLR connector for easy connectivity with multiple VTX-LZ laser units using standard microphone cables. Up to 10x VTX-LZ lasers can be powered by 1x VTX-LZ-PS by using the IN/OUT XLR connectors.



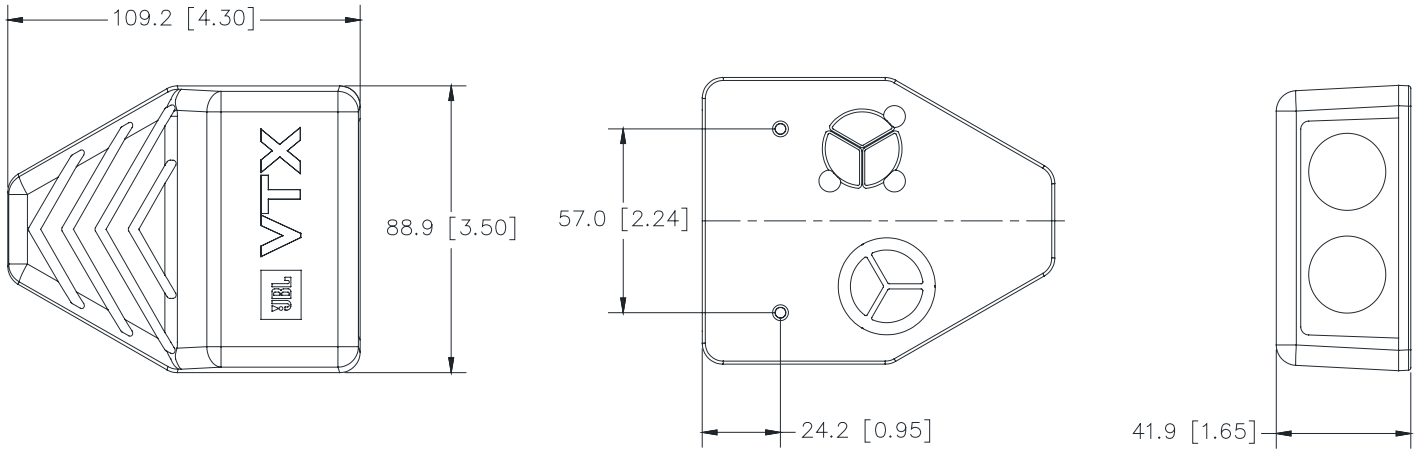
Wiring Example: VTX-LZ-PS with 2x VTX-LZ



Included:

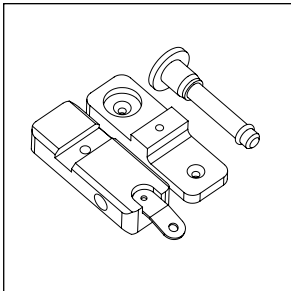
- Class 3R green laser for use with VTX or VERTEC Systems

Dimensions:

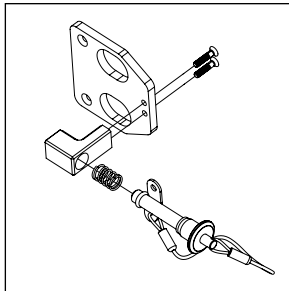


Available Mounting Brackets (supplied separately):

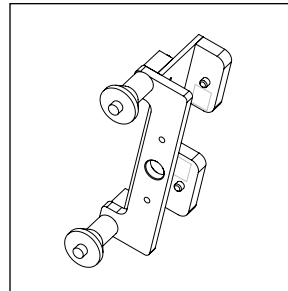
VTX-LZ-V25-MB



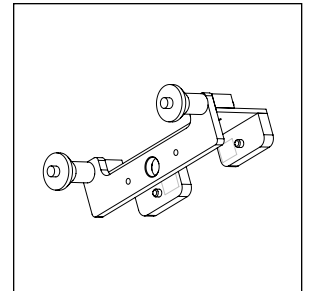
VTX-LZ-V20-MB



VTX-LZ-89-MB



VTX-LZ-8788-MB



Specifications:

VTX-LZ	
Construction:	Black ABS and Aluminum
Laser Color:	Green
Laser Class:	3R Green Laser
In/Out Connectors:	Neutrik 3-Pin XLR
Dimensions (H x W x D):	109.2 mm x 88.9 mm x 41.9 mm (4.3 in x 3.5 in x 1.65 in)
Net Weight:	0.24 kg (0.53 lbs)