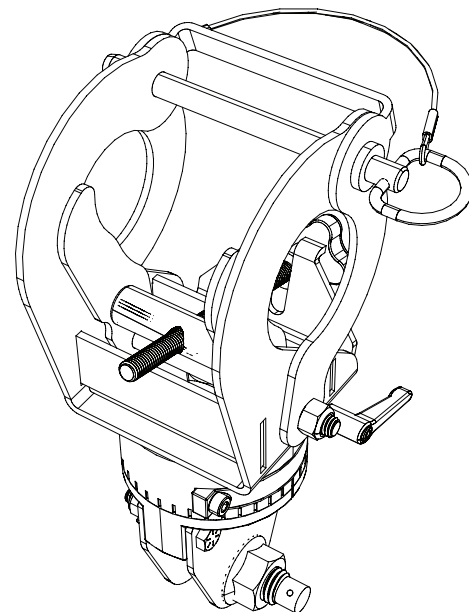
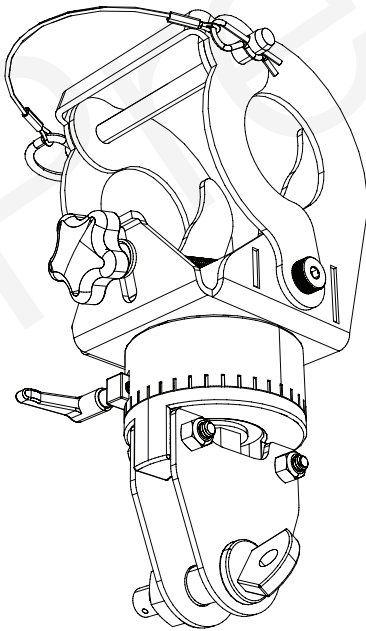


HIGHLIGHTS

- Universal truss/pipe clamp adapter
- Adjustable clamping mechanism
- Pipe range: 1" – 2"
- Includes bearing for smooth 360° rotation
- 10° rotation marks for horizontal array aiming

DESCRIPTION

The VTX RC500 is a universal truss/pipe adapter designed for vertically suspending speaker arrays from standard truss structures or pipes. The RC500 is compatible with array frames that support 1/2" shackles, such as the VTX A8 MF. An adjustable clamping mechanism allows the RC500 to be secured to a wide range of truss/pipe sizes. The included thrust bearing allows for smooth 360° rotation, even when loaded. 10° rotation marks allow for quick and easy horizontal aiming, with a locking mechanism to secure the RC500 at the desired position.



INCLUDED

- 1 x VTX RC500 Rotating Clamp