

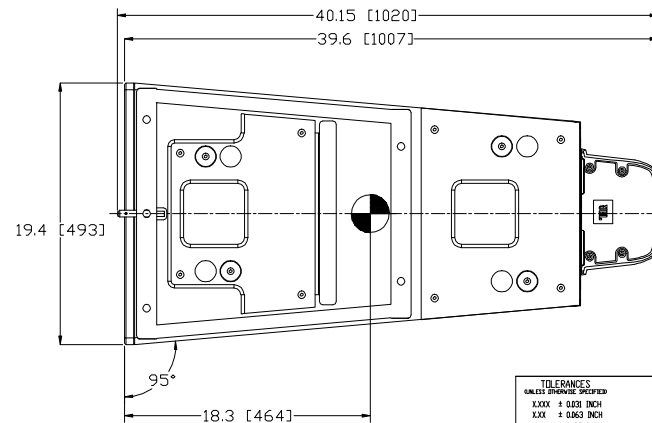
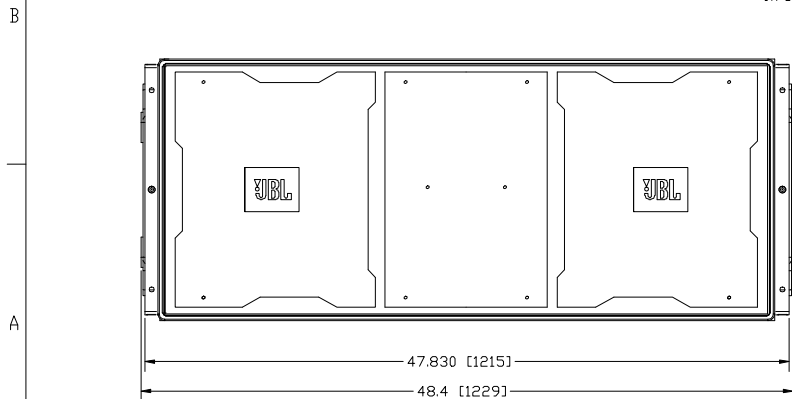
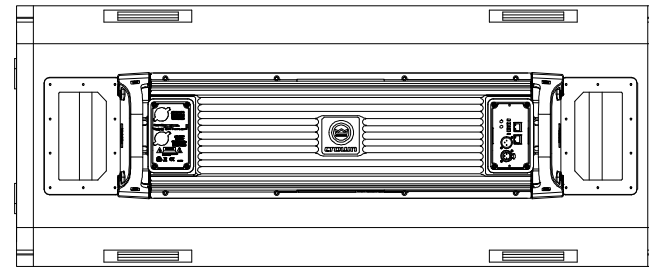
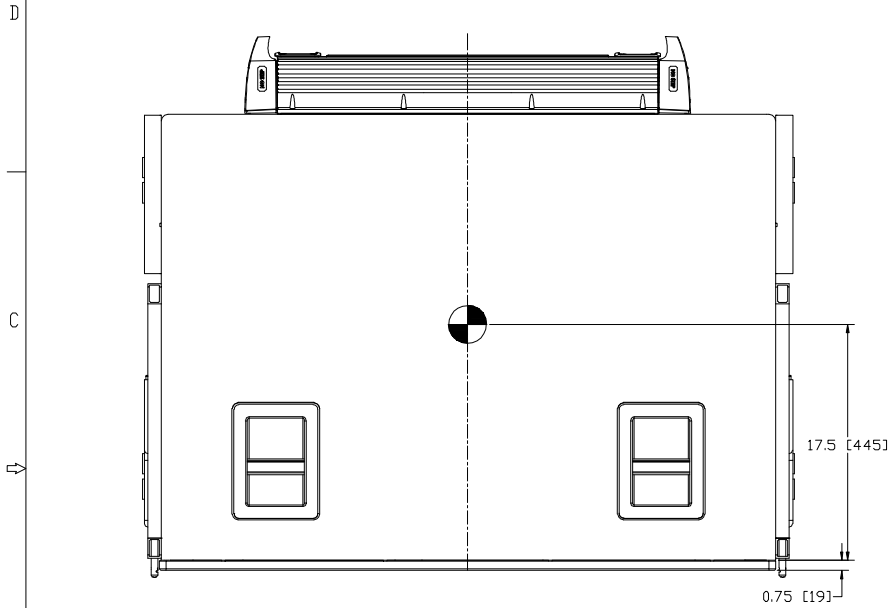
8 7 6 5 4 3 2 1

THESE DRAWINGS AND SPECIFICATIONS ARE THE PROPERTY OF JBL. INCORPORATED THEY ARE ISSUED IN STRICT CONFIDENCE AND SHALL NOT BE REPRODUCED, COPIED OR USED AS THE BASIS FOR MANUFACTURING OR SALE OF APPARATUS WITHOUT WRITTEN PERMISSION.

ALL MATERIAL SPECIFIED ON THIS DRAWING SHALL COMPLY WITH EUROPEAN DIRECTIVE 2002/95/EC. **RoHS**

		REVISIONS				
CHG	LTR	DESCRIPTION	DRFT	CHK	DATE	APPR
35697	A	RELEASE FOR MARKETING	YUKI		2/21/08	BW
36232	B	REV VIEW	YUKI			

1. COMPONENTS: LF - 2X 2269G
2. INPUT/OUTPUT CONNECTERS: MALE-XLR / FEMALE-XLR
3. GRILLE 16GA PERFORATED CRS, POWDERCOATED BLACK, BLACK FOAM BACKING.
4. MATERIALS: 18MM BIRCH PLYWOOD AND 18MM LITE-PLY.
5. FINISH: BLACK DURAFLEX.
6. SUSPENSION SYSTEM: JBL PROPRIETARY HINGE-BARS, BALL LOCK PINS AND RIGGING FRAMES.
7. WEIGHT: 100KG (220 LBS)
8. CENTER OF GRAVITY (CG)



NOTES: (UNLESS OTHERWISE SPECIFIED)

TOLERANCES  
UNLESS OTHERWISE SPECIFIED  
XXXX ± 0.031 INCH  
XXX ± 0.063 INCH  
XX ± 0.125 INCH  
ANGULAR ± 30°  
\* DIMENSIONS ARE INCHES DIMD  
\* ALL DIMENSIONS ARE FINISHED DIMENSIONS  
\* DO NOT SCALE DRAWING

<b>JBL</b>		JBL Professional A Harman International Company Northridge, California 91329, U.S.A.	
TITLE CUSTOMER DWG - VT4880ADP			
SIZE D	DRAWING NO. 365192	REV B	
SCALE 1:4	SHEET 1 OF 1		