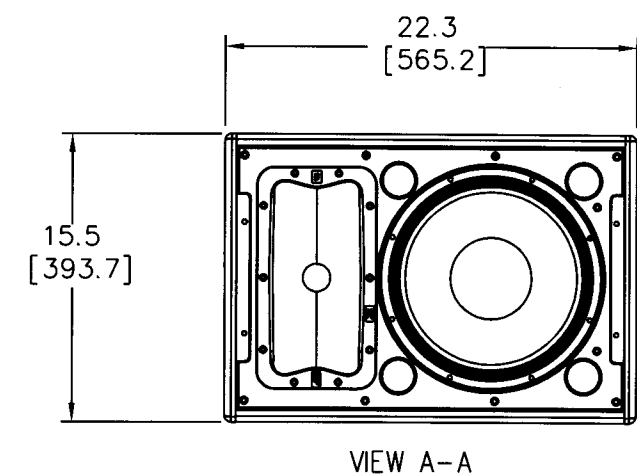
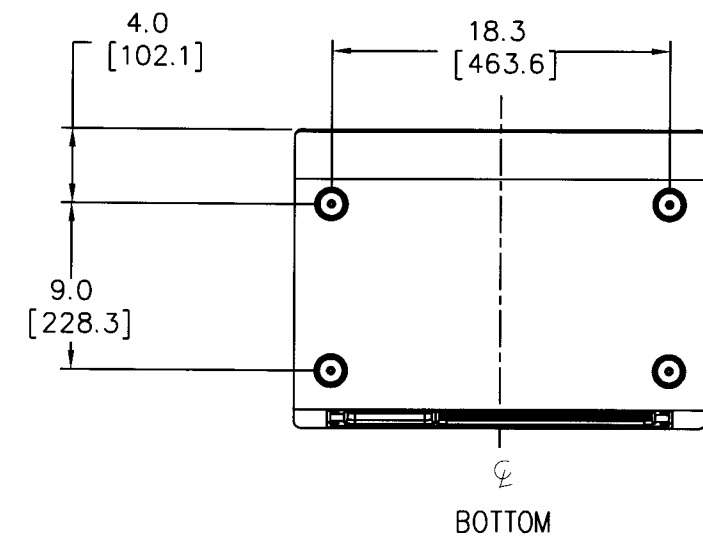
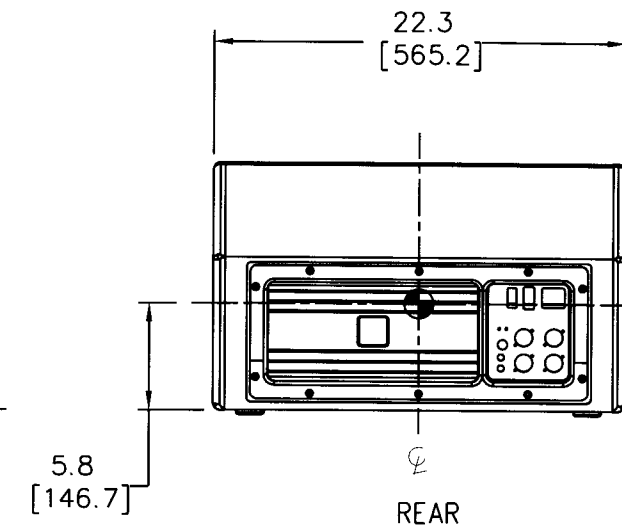
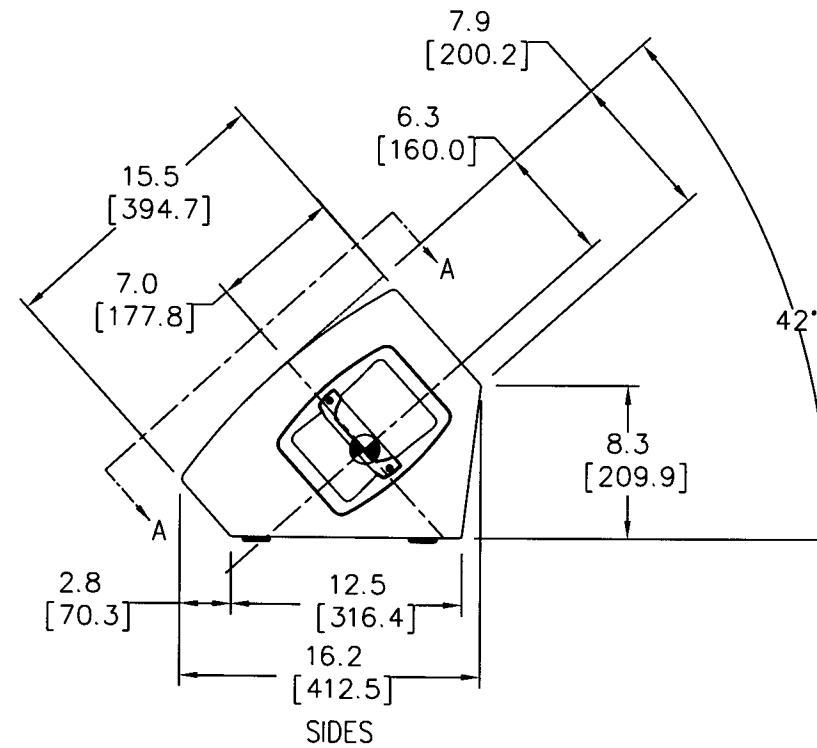
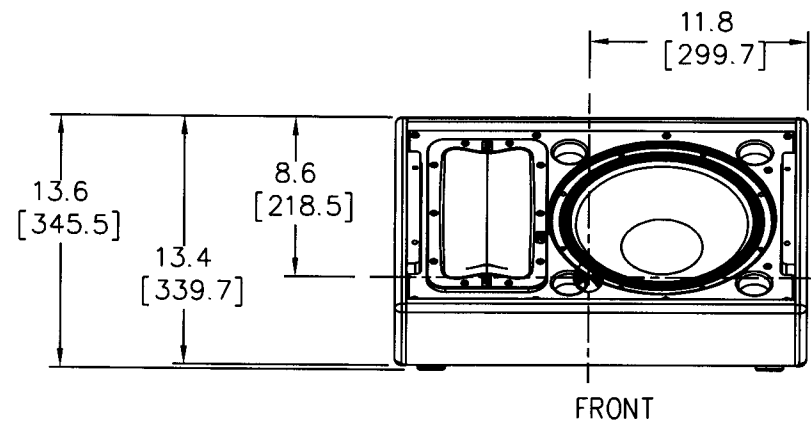


THESE DRAWINGS AND SPECIFICATIONS ARE THE PROPERTY OF JBL INCORPORATED. THEY ARE ISSUED IN STRICT CONFIDENCE AND SHALL NOT BE REPRODUCED OR USED AS THE BASIS FOR MANUFACTURE OR APPARATUS WITHOUT WRITTEN PERMISSION.

ALL MATERIAL SPECIFIED ON THIS DRAWING SHALL COMPLY WITH EUROPEAN DIRECTIVE 2002/95/EC **RoHS**

REVISIONS						
CHG	LTR	DESCRIPTION	DRFT	D.C	DATE	APPR
33098	T1	RELEASE TO MARKETING	TH			<i>[Signature]</i>

11/6/06



1. COMPONENTS: LF - 1X 2262FF; HF - 1X 2452H-SL
2. INPUT CONNECTORS: XLR WITH LOOP THROUGH.
3. GRILL: 14 GA. PERFORATED CRS, POWDERCOATED BLACK, BLACK FOAM BACKING.
4. MATERIALS: 16MM (5/8") FINNISH BIRCH PLYWOOD.
5. FINISH: BLACK DURAFLEX
6. SUSPENSION POINTS: N/A
7. WEIGHT: 20.7 kg (45.5 LBS)
8. CENTER OF GRAVITY (CG)

NOTES: (UNLESS OTHERWISE SPECIFIED)

TOLERANCES
(UNLESS OTHERWISE SPECIFIED)

X.XX	± .063 INCH
X.X	± .125 INCH
ANGULAR TOLERANCE OF 0°±30'	
FRACTIONAL DIMENSIONS ± 1/32	

- DIMENSIONS ARE INCHES
- ALL DIMENSIONS ARE FINISHED DIMENSIONS
- DO NOT SCALE DRAWING

JBL JBL PROFESSIONAL A Harman International Company Northridge, California 91329 U.S.A.		
TITLE CUSTOMER DRAWING: VP7212MDP		
SIZE A	DRAWING NO. 363897	REV T1
SCALE NTS	SHEET 1 OF 1	

4

3

2

1