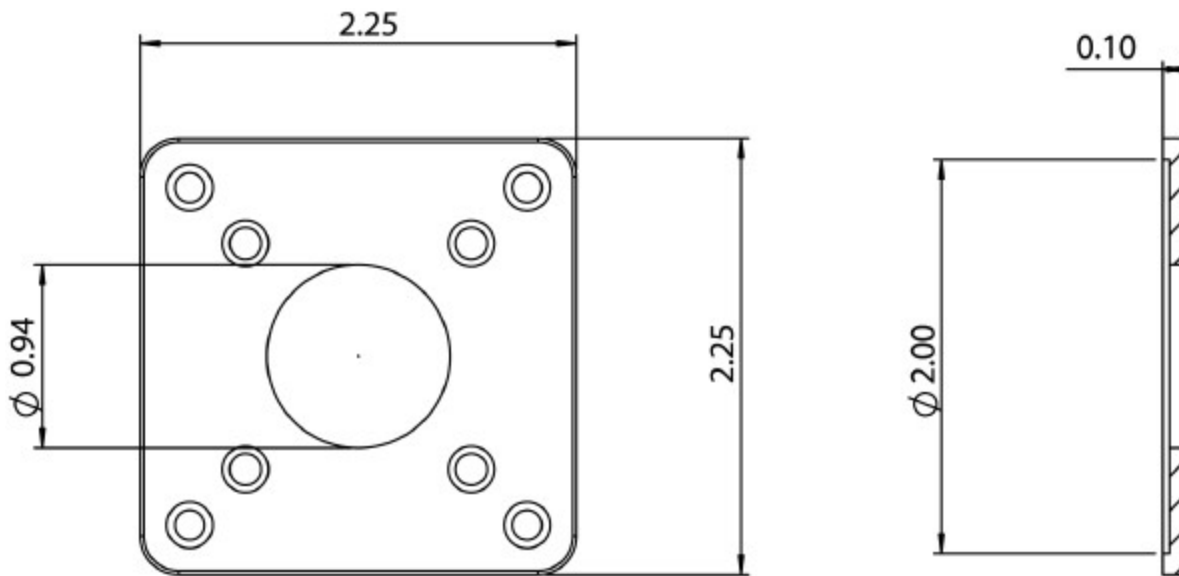




# MTC-29NL4A

## Neutrik Speakon NL4 Adapter Plate For Control 29AV

The **MTC-29NL4A** is a connector plate designed for use with **Neutrik model NL4MPR** Speakon Connector. This plate can be used to replace the existing screw-down terminal connectors with a Speakon jack. Note that the plate is designed for use with the *ROUND* Speakon jack, not the rectangular jack, and that the connector itself is not included.



Dimensions In Inches