

# VS3115 Three-Way Loudspeaker System Utilizing Horn-Loaded Midrange

## Venue Series

### Key Features:

- ▶ 60° x 40° coverage control down to 300 Hz
- ▶ Rotatable Mid-high waveguide allowing for horizontal enclosure orientation
- ▶ Internal tamper resistant selector enables Tri-amp or Bi-amp operation
- ▶ Vented Gap Cooled™ LF transducer allows full range use down to 40 Hz
- ▶ Trapezoidal enclosure for arraying
- ▶ DuraFlex finish, tough, weather resistant and paintable
- ▶ 12 Suspension points (M10 Thread)

The model VS3115 is a true, full-range system that provides unprecedented bandwidth and maximum SPL, all in a single system package. With nominal 60° coverage pattern, systems can be splayed together for increased coverage and/or SPL requirements. The powerful 15" Vented Gap Cooled LF transducer provides bass with useable response to 40 Hz. A newly designed rotatable, midrange/high frequency waveguide, using Optimized Aperture™ principles, coupled with an 8" mid-cone driver and the 2426H, deliver clear, controlled highs and extended mid-pattern control resulting in exceptional clarity and projection.

The VS3115 is designed to be bi- or tri-amplified utilizing the DSC260 digital controller for crossover, signal alignment and equalization functions, providing optimum system performance. The bi- to tri-amplified selection is made via an easily accessible, internal tamper resistant selector.

The VS3115 is part of the JBL Venue Series, a family of modular loudspeaker systems designed for fixed installation applications ranging from speech reinforcement to large scale music productions. All models are fitted with suspension points that accept M10 threads. The enclosures are coated with a hard wearing, weather resistant, textured finish DuraFlex. Premium 13 ply wood and an 18 gauge steel, foam backed grille enable the Venue Series system to comply with environmental test specifications.

### Components:

The VS3115 utilizes one of JBL's finest cone transducers, the 2226H. The 15" 2226H is part of JBL's family of Vented Gap Cooled woofers and carries an AES power rating of 600 watts with minimal power compression.

A high performance JBL 8" cone midrange driver, rear loaded with Thermal Transfer chamber, and the 1" exit 2426H compression driver are coupled to a newly designed Optimized Aperture Mid/HF waveguide. The Optimized Aperture waveguide provides lower throat distortion and extended midrange pattern control and together with the transducers exhibit excellent projection and exceptional clarity. The cone transducers have been treated for weather resistance.



## Specifications:

### System:

Freq. Range (-10 dB):	32 Hz - 18 kHz
Freq. Response (-3 dB):	46 Hz - 13 kHz
Horz. Coverage Angle (-6 dB):	70° averaged 500 Hz to 16 kHz
Vert. Coverage Angle (-6 dB):	50° averaged 500 Hz to 16 kHz
Directivity Factor (Q):	13.6 averaged 500 Hz to 16 kHz
Directivity Index (DI):	11.3 dB averaged 500 Hz to 16 kHz
Recommended Controller:	DSC260, DSC280
Passive Crossover:	1.6 kHz

### Transducers:

<b>Low-Frequency:</b>	2226H, 380 mm (15 in) dia., 100 mm (4 in) edgewound ribbon voice coil
Nominal Impedance:	8 Ohms
Input Power Rating:	600 W, AES; 2400 W Peak
Sensitivity <sup>1</sup> :	97 dB, 1 W, @ 1 m (3.3 ft)
Calculated Maximum SPL:	131 dB, @ 1 m (3.3 ft)
Recommended Amplifier <sup>2</sup> :	800 W
<b>Mid-Frequency:</b>	M209-8A; 203 mm (8 in) dia., 50 mm (2 in) edgewound ribbon voice coil
Nominal Impedance:	8 Ohms
Input Power Rating:	150 W, AES; 600 W Peak
Sensitivity <sup>1</sup> :	105 dB, 1 W @ 1m (3.3 ft)
Calculated Maximum SPL:	134 dB, @ 1 m (3.3 ft)
Recommended Amplifier <sup>2</sup> :	300 W
<b>High-Frequency:</b>	2426H; 44 mm (1.75") diaphragm and voice coil dia., 25 mm (1") throat dia.
Nominal Impedance:	8 Ohms
Input Power Rating:	50 W, AES; 200 W Peak
Sensitivity <sup>1</sup> :	111 dB, 1 W, @ 1m (3.3 ft)
Calculated Maximum SPL:	134 dB, @ 1 m (3.3 ft)
Recommended Amplifier <sup>2</sup> :	80 W

### Physical:

<b>Enclosure:</b>	Trapezoidal, 22.5° side angles, birch plywood
<b>Environmental Specifications:</b>	Mil-Std 810, IPX4 per IEC 529
<b>Suspension Attachment:</b>	12 points; accepts M10 threaded hardware
<b>Finish:</b>	Black DuraFlex coating
<b>Grille:</b>	Black powder coated zinc treated 18 gauge perforated steel grille with foam backing
<b>Input Connectors:</b>	2 x N18 Neutrik Speakon connectors
<b>Dimensions:</b>	924 mm x 572 mm x 572 mm (36.38 in x 22.50 in x 22.50 in)
<b>Net Weight:</b>	47.6 kg (105 lbs.)

<sup>1</sup>Measured on-axis in the far field with 1 watt (2.83 V RMS @ 8 ohms or 4.0 V RMS @ 16 ohms) input and referenced to 1 meter distance using the inverse square law. Listed sound pressure represents an average from 300 Hz to 16 kHz.

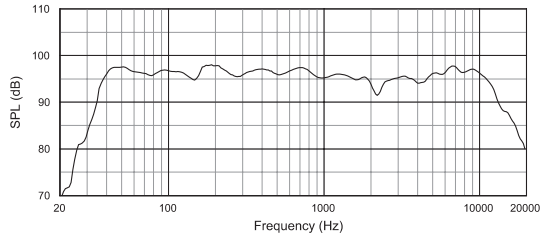
<sup>2</sup>IEC Spectrum for 2 hours with +6 dB crest factor.

<sup>3</sup>Recommended Amplifier is a power capability value that should be taken as a guide.

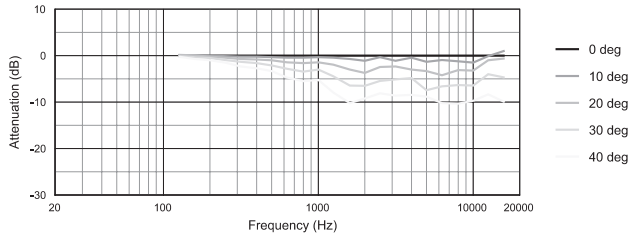
JBL continually engages in research related to product improvement. New materials, production methods, and design refinements are introduced into existing products without notice as a routine expression of that philosophy. For this reason, any current JBL product may differ in some respect from its published description, but will always equal or exceed the original design specifications unless otherwise stated.

# VS3115 3 way System

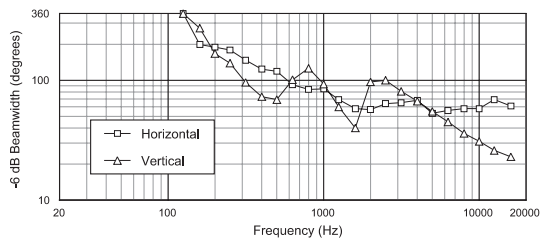
Frequency response is measured on-axis at a distance referenced to 1 meter at 1-watt using a recommended controller, shown as a half-space ( $2\pi$ ) environment.



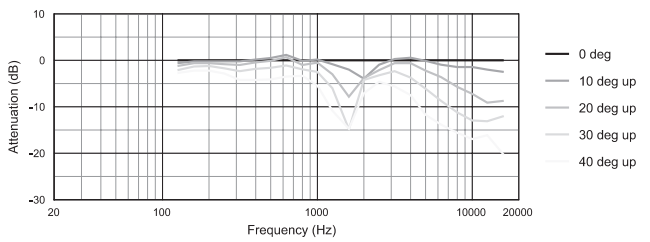
### Horizontal Off-Axis Frequency Response



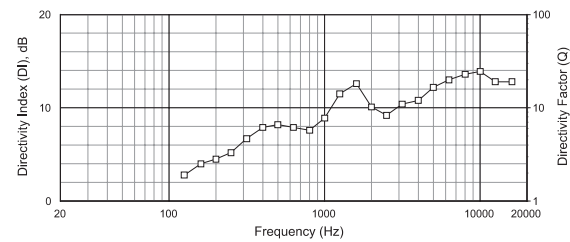
### Beamwidth vs. Frequency



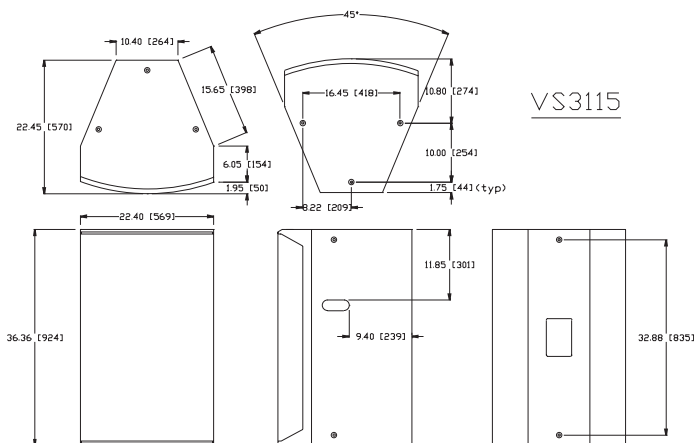
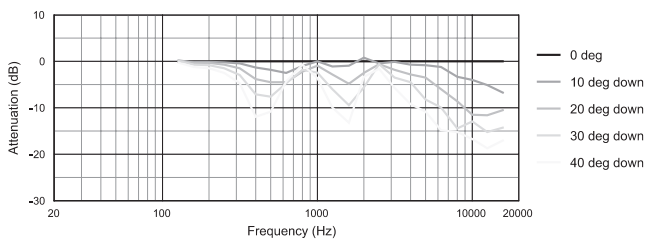
### Vertical Off-Axis Frequency Response (up)



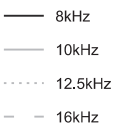
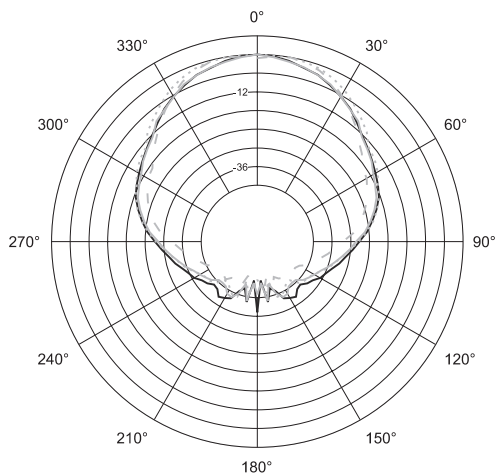
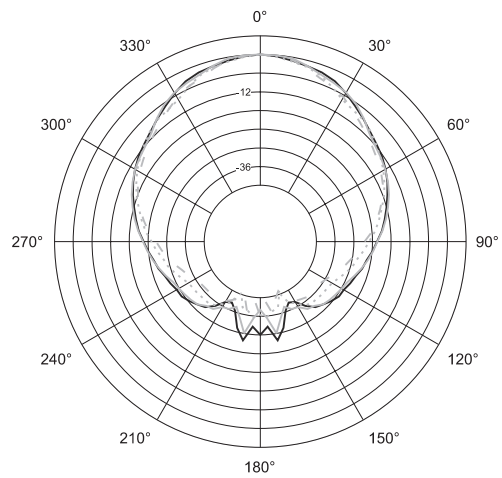
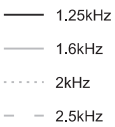
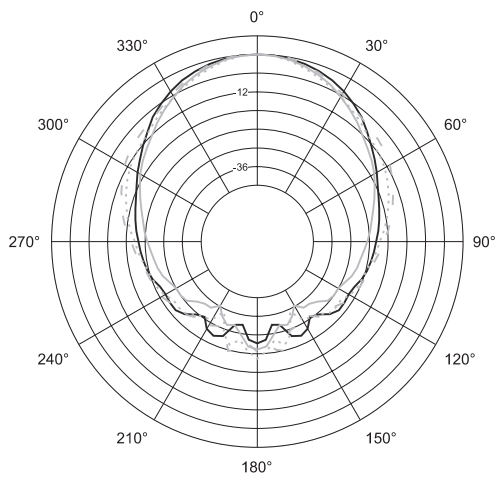
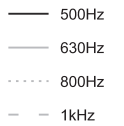
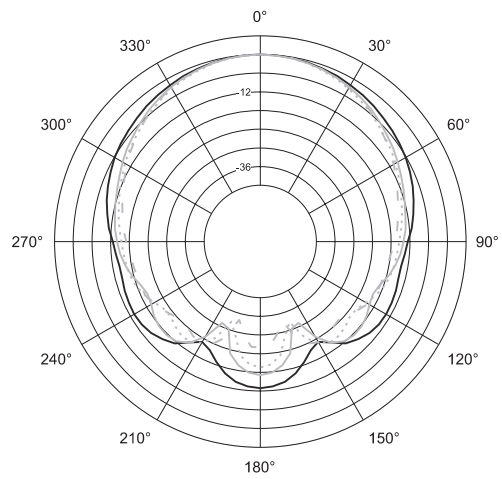
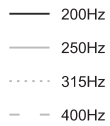
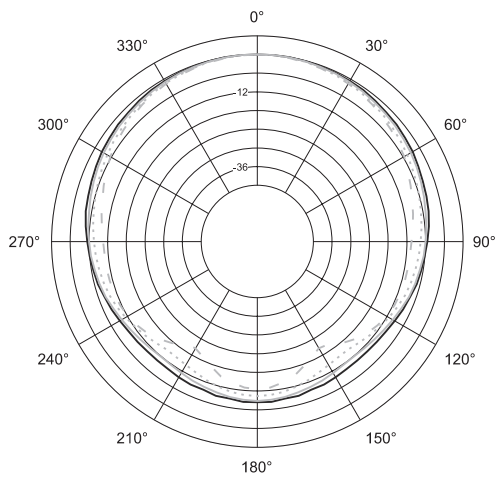
### Directivity vs. Frequency



### Vertical Off-Axis Frequency Response (down)

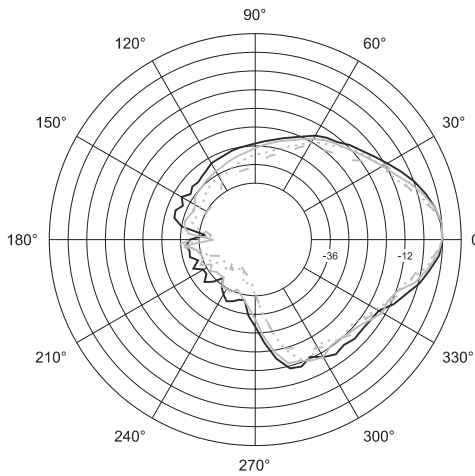
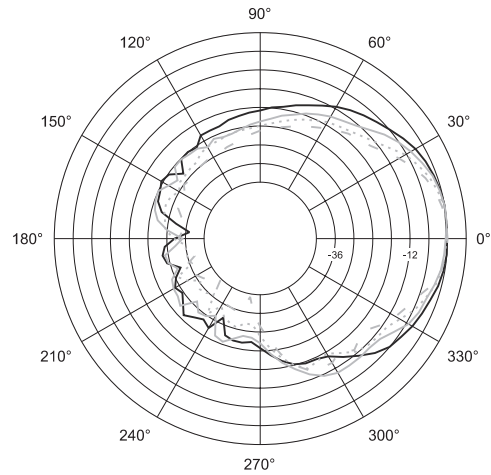
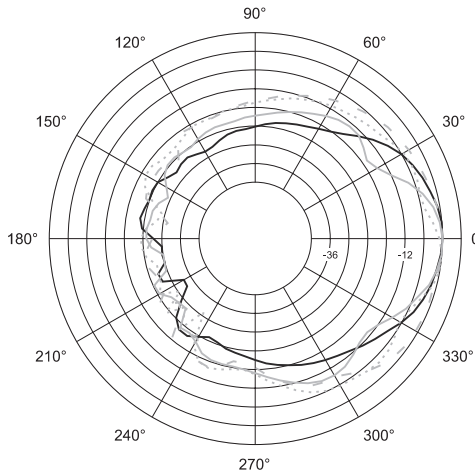
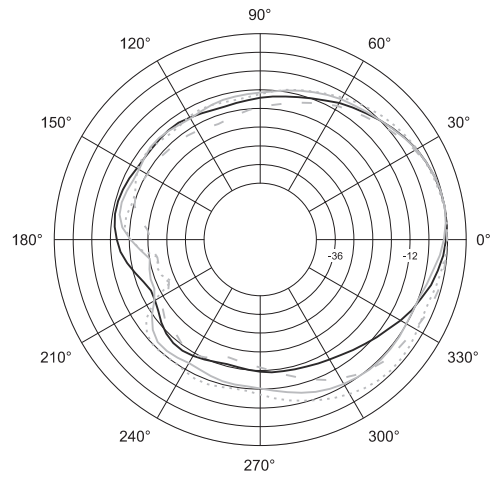
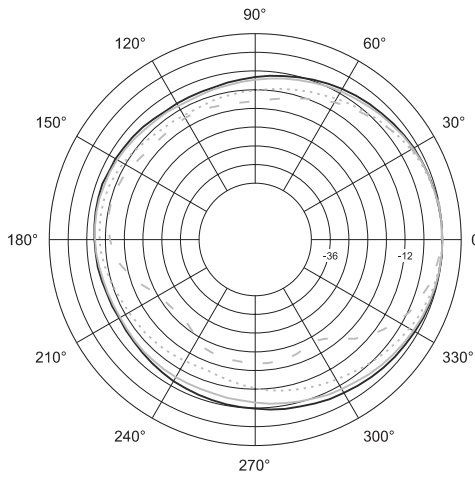


## Horizontal 1/3 Octave Polars



# ▶ VS3115 3 way System

## Vertical 1/3 Octave Polars



JBL Professional  
 8500 Balboa Boulevard, P.O. Box 2200  
 Northridge, California 91329 U.S.A.

■ A Harman International Company

SS VS3115  
 CRP 15M  
 1/98