

4828

BI-RADIAL™
STAGE MONITOR
SPEAKER SYSTEM



FEATURES:

- Smooth, even response from 60 Hz to 20 kHz
- Exceptionally wide and uniform 100° by 100° coverage
- Integral front-mounted bumper handles protect horn component in transit
- Dual angle wedge profile for flexibility of mounting and use
- Built-in floor skids to protect cabinet surfaces
- Rugged construction for touring sound applications

The JBL 4828 is a compact, two-way monitor loudspeaker system featuring exceptionally wide and smooth horizontal and vertical coverage. The 4828 consists of a Model 2425J compression driver on a 2344 Bi-Radial™ Constant-Coverage horn and a sin-

gle 2204H 12 inch loudspeaker in a ported, direct-radiating enclosure.

A pair of tuned low frequency ports are hidden behind the 2344 horn, and exit in the two horn flare cavities. This unique design configuration allows for extended bass response while maintaining the 4828's compact size.

The 4828 incorporates a dual-angle profile, which enables the baffle surface to be aligned at a 45° or 67½° angle to the floor for footlight or side fill monitoring applications. In both mountings, the baffle surface extends to the floor, eliminating the cavity in front of the monitor, resulting in smoother response.

JBL

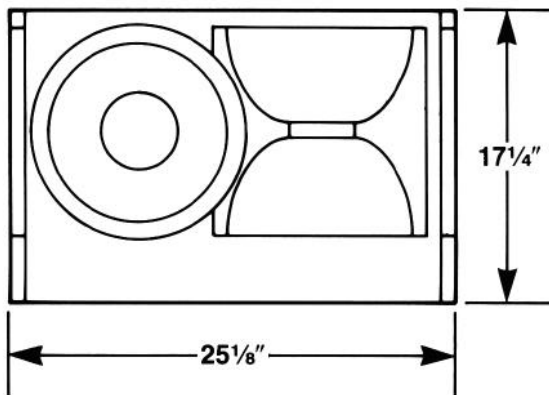
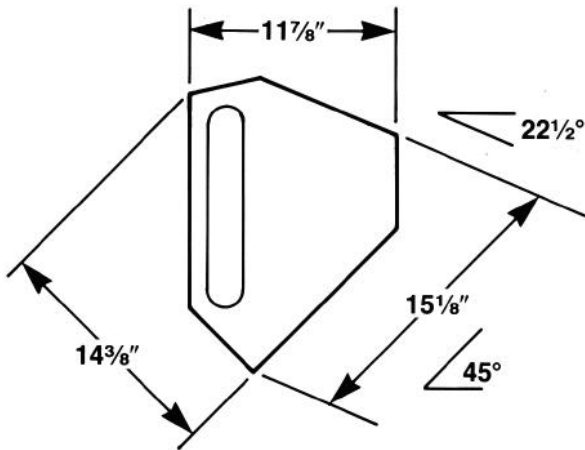
The 4828 is equipped with EP-8 input connectors. Two connectors are installed (one male, one female), and all pins are wired to enable loop-thru connection to additional Concert Series loudspeaker systems.

ARCHITECTURAL SPECIFICATIONS:

The two-way monitor loudspeaker system shall incorporate a twelve-inch low frequency loudspeaker and a compression driver mounted to a Constant-Coverage high frequency horn. The system shall meet the following performance criteria: Frequency range: 60 Hz to 20 kHz. Pressure sensitivity: 95 dB/1w/1m (LF), 109 dB/1w/1m (HF). Power Capacity: 300 watts continuous program above 60 Hz (LF), 70 watts continuous program above 800 Hz (HF). Horizontal coverage: 100 degrees between -6 dB points. Vertical coverage: 100 degrees between -6 dB points.

The cabinet shall be constructed of void-free birch plywood, stiffened internally and coated with fiberglass reinforced plastic. All exposed corners and edges shall be rounded for damage resistance. Cabinet sides shall taper inward, front-to-back, one at a 22½ degree angle, the other at a 45 degree angle to facilitate floor mounting at complementary angles.

The two-way loudspeaker system shall be the JBL Concert Series model 4828.



SPECIFICATIONS:

Components:	1-JBL 2204H low frequency transducer 1-JBL 2344 Constant-Coverage Bi-Radial™ horn 1-JBL 2425J compression driver
System Specifications:	
System Type:	Two-way externally-biamped monitor loudspeaker system
Frequency Range (-10 dB):	60 Hz to 20 kHz
Frequency Response (±3 dB):	70 Hz to 17.5 kHz
Nominal Impedance:	LF: 8 ohms HF: 16 ohms
Power Capacity (continuous pgm.): ¹	LF: 300 w (above 60 Hz) HF: 70 w (above 800 Hz)
Pressure Sensitivity (1w, 1m, half-space):	LF: 95 dB HF: 109 dB
Coverage angles (-6 dB points, nom.):	Horizontal: 100 degrees Vertical: 100 degrees
Maximum SPL (1m, continuous pgm.):	124 dB
Connectors:	ITT Cannon EP-8 type, one each male and female
Dimensions:	36.5 cm (14 3/8 in) H 63.8 cm (25 1/8 in) W 38.4 cm (15 1/8 in) D
Weight:	29.5 kg (65 lbs.)
Finish:	Dark gray impregnated fiberglass-reinforced plastic, black steel protective LF grill

¹ Continuous program power is defined as 3 dB greater than continuous sine wave power and is a conservative expression of the transducer's ability to handle typical speech and music program material.

JBL continually engages in research related to product improvement. New materials, production methods, and design refinements are introduced into existing products without notice as a routine expression of that philosophy. For this reason, any current JBL product may differ in some respect from its published description but will always equal or exceed the original design specifications unless otherwise stated.