

JBL

PROFESSIONAL

MP415 15 Inch Two-Way Speaker

MPRO

Professional Series

Key Features:

- ▶ Laminar Flow Baffle™ design reduces distortion and diffraction effects by providing smooth, rounded surfaces. The single piece baffle is constructed of SMC (sheet molding compound), a durable, cross-linked thermo-plastic also used in automotive body parts.
- ▶ Multi-angle enclosure designed for use as a front-of-house speaker or a stage monitor.
- ▶ JBL 2033 15", woofer with 3", edge-wound voice coil. SHG™ (Selective Harmonic Geometry) technology reduces harmonic distortion and improves power response.
- ▶ JBL 2406 Annular Ring Diaphragm™ compression driver delivers smooth, extended high-frequency output to 20 kHz.
- ▶ High power handling - 350 watts (average) and 1,400 watts (peak) power capacity.
- ▶ Enclosure constructed of 18 mm plywood and coated with JBL's exclusive DuraFlex™ - a rugged, advanced, poly-urea finish.
- ▶ 70° x 70° horn designed for even coverage and smooth response on and off axis.
- ▶ Input panel includes dual Neutrik® Speakon® NL-4 input connectors.
- ▶ Precision engineered crossover for optimal power response and performance in the critical mid-range region.
- ▶ SonicGuard™ protects high-frequency driver from excess power without interrupting the performance.
- ▶ Attractive 16 gauge, hexagon perforated, steel grill protects components from damage.
- ▶ 35 mm pole mount receptacle.

The MPro MP415 is a portable, fifteen-inch, two-way speaker system in a multi-angle enclosure that supports main PA or stage monitor



applications. The Laminar Flow Baffle reduces reflection and diffraction effects and distortion resulting from turbulence. The horn design with its large mouth delivers smooth, natural reproduction especially in the critical mid-range. The unique, ARD™ (Annular Ring Diaphragm) compression driver delivers extraordinary high-frequency extension due to a design that combines very high motor strength with low moving mass. This high-frequency performance makes the MP415 an outstanding choice for high-level music playback, especially when combined with subwoofers. A 16 gauge, steel grill protects the fifteen-inch JBL woofer. Designed for portable applications in live performance, music playback, and reinforcement of speech, the MP415 will deliver outstanding performance by itself or as a satellite over subwoofers such as the MP418S and MP418SP.

Specifications:

System Type:	15" 2-way bass reflex
Frequency Range (-10dB):	44 Hz - 20 kHz
Frequency Response (+/-3 dB):	57 Hz - 20 kHz
Sensitivity (1w/1m):	99 dB
Nominal Impedance:	8 Ohms
Maximum SPL ² :	130 dB
Power Capacity ³ :	350W
Peak Power Capacity ³ :	1400W
Nominal Dispersion:	70° x 70°
Dimensions (in) ⁴ :	28.3 x 18.2 x 15.1
Dimensions (mm) ⁴ :	719 x 461 x 383
Net Weight (lbs):	59
Net Weight (kgs):	26.8
LF Driver:	1 x JBL 2033H
HF Driver:	1 x JBL 2406H
Input Connectors:	Neutrik® SpeakOn® NL-4 (x2), parallel
Enclosure Construction:	DuraFlex coated 18mm plywood. One piece SMC (sheet molding compound) baffle with integral horn and ports. Steel carrying handles (x2). 35 mm pole mount socket.

¹ Frequency Range and Response specifications based on half space (2 π) conditions

² Calculated based on Peak Power Capacity and Sensitivity

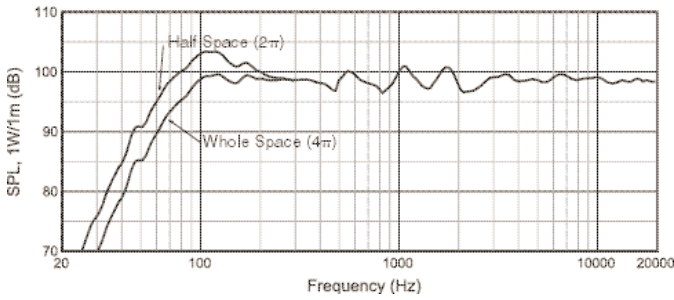
³ "Power Capacity" and "Peak Power Capacity" ratings are based on the average and peak power handling capacity of product samples subjected to a 100 hour power test of the system design using IEC filtered pink noise with a crest factor of 6 dB

⁴ Height dimension includes feet

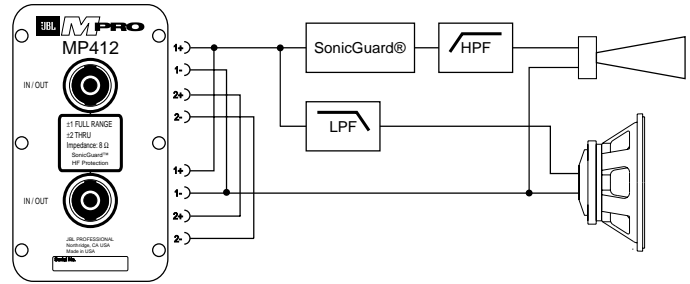
JBL continually engages in research related to product improvement. New materials, production methods and design refinements are introduced into existing products without notice as a routine expression of that philosophy. For this reason, any current JBL product may differ in some respect from its published description, but will always equal or exceed the original design specifications unless otherwise stated.

► MPro MP415 15 Inch Two-Way Speaker

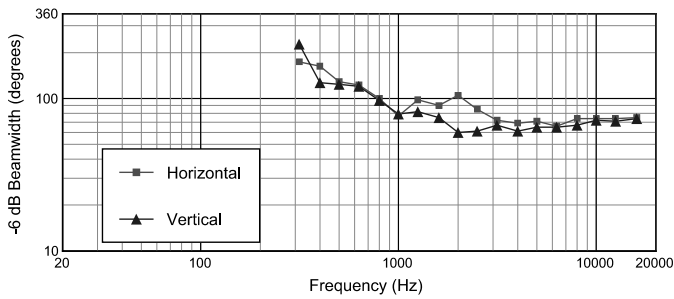
Frequency Response:



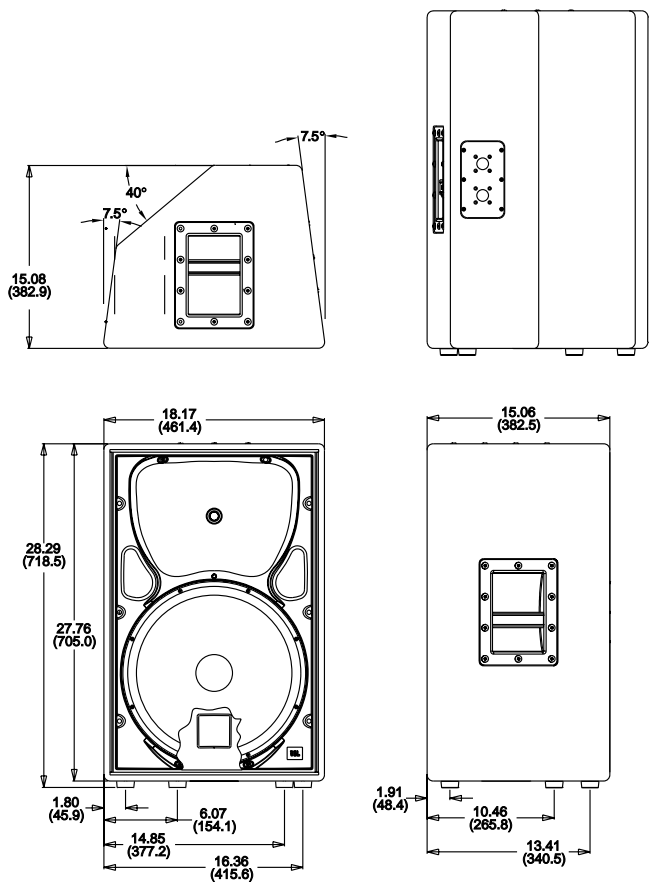
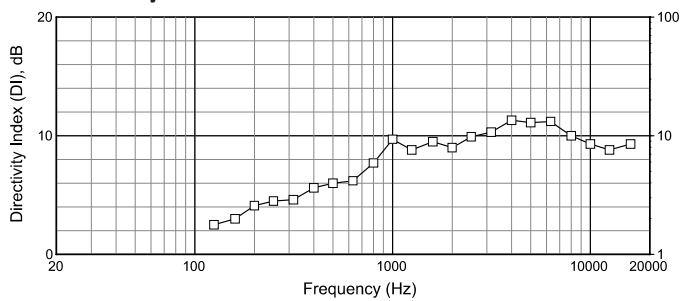
Block Diagram:



Beamwidth:



Directivity Index:



JBL Professional
 8500 Balboa Boulevard, P.O. Box 2200
 Northridge, California 91329 U.S.A.

■ A Harman International Company

CRP 15M
 5/01