



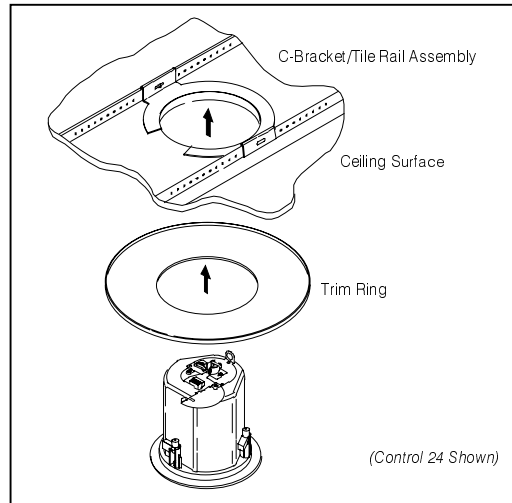
Trim Rings for Control Contractor Ceiling Speakers

MTC-24TR For Models Control 24C and 24CT
MTC-26TR For Models Control 26C and 26CT

Trim rings allow installation of Control Contractor ceiling speakers into existing ceiling speaker cutouts that are larger than the speaker's normal cutout size. The maximum cutout size accommodated depends on the installation configuration.

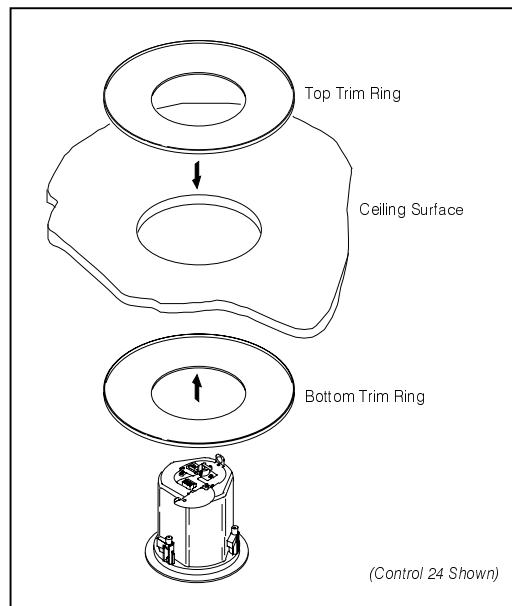
Using Single Trim Ring

For cutouts up to 200 mm (8 in) in diameter for Control 24C/24CT and up to 260 mm (10 in) for Control 26C/CT, the speakers can be installed using a single trim ring on the bottom of the ceiling surface and using the stock C-bracket (included with the speaker) on top of the ceiling surface. Using the tile rails (included with the speaker) improves stability.



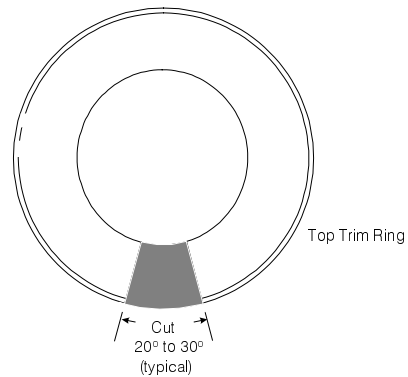
Using Dual Trim Rings

Larger cutouts, up to 280 mm (11 in) for either speaker model can be accommodated by using two trim rings – one on the bottom and one on the top of the ceiling surface. Using the C-bracket and tile rails (included with the speaker) above the top trim ring further improves stability.

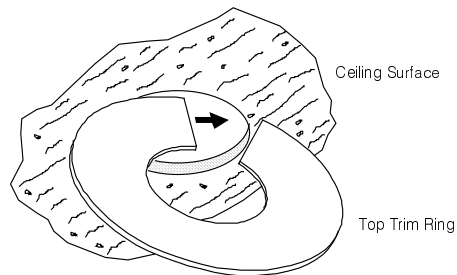


Dual Trim Rings in Inaccessible Ceiling Spaces

For applications requiring dual trim rings AND where the top of the ceiling is not accessible, it is necessary to cut a small arc out of the TOP trim ring in order to get it through the ceiling cutout from underneath. Using tin snips, hack saw or other appropriate tool, cut a small section out of the ring, as shown below. Typically, the cutout should be between 20° and 30°, depending on the thickness of the ceiling surface, but no wider than is necessary to slip the ring through the cutout without deforming the ring.

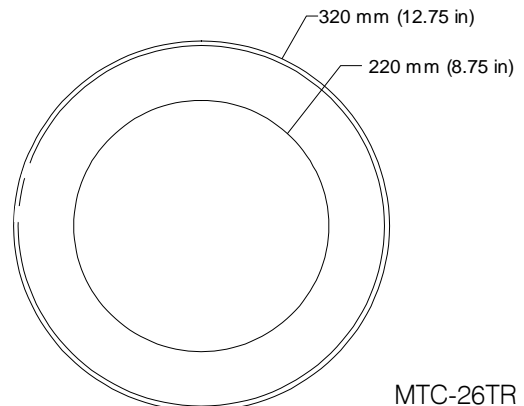
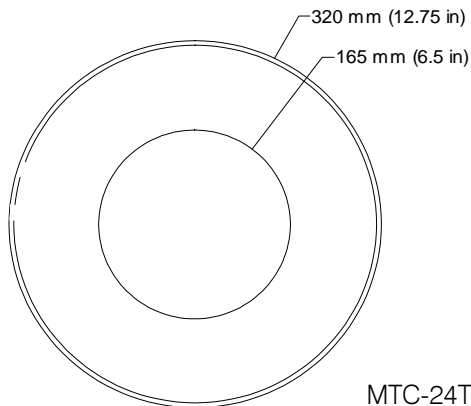


Slide the ring through the ceiling cutout, as shown, and place it in position above the ceiling surface.



When possible, orient the speaker's mounting tabs so that all tabs tighten onto the top trim ring.

Dimensional Diagrams



Material: 22 ga steel
 Total Thickness: 5 mm (0.2 in), including bezel rim
 Finish: Lightly textured, white paint



JBL Professional
 8500 Balboa Blvd, P.O. Box 2200
 Northridge, CA 91329 U.S.A.

A Harman International Company

20-Aug-99 -- RK