



Eyebolt Applications

For Installation of Control SB210

When suspending the JBL Control SB210 loudspeaker, you **MUST** utilize **Load-Rated Steel Forged Shoulder Eyebolts**. The load rating must be stamped on the side of the eyebolt and there must be a shoulder, as shown in Fig 1. The correct threading for the Control SB210 is M6. This means that the threaded shaft has a diameter of 6mm. The threaded shaft length will vary according to which insert point is being utilized.

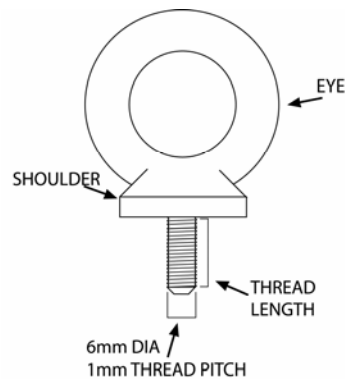
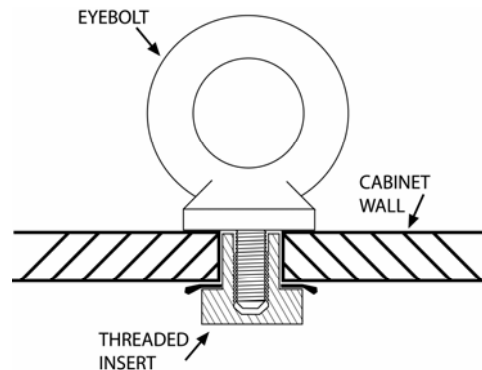


Figure 1: Forged Shoulder Eyebolt (M6)

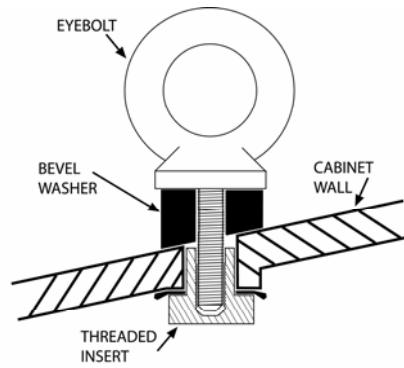
Side Inserts -- When using the installation points on the side of the cabinet, where the flat surfaces are, the eyebolt threads directly into the insert. Be sure to tighten the bolt all the way down so that the shoulder is snug against the surface of the cabinet. To do this, you must ensure the correct length of bolt so that the threads do not “bottom out” (stop turning) before the shoulder reaches the cabinet surface. For the side inserts, the shaft should be 12mm (1/2 inch). See Figure 2:



For **side** inserts, use 6 mm x 1mm pitch x 12 mm thread length steel forged shoulder eyebolts

Figure 2: Cross Section of Side of Cabinet

Top & Bottom Inserts -- When using the installation points on the top and bottom of the cabinet, you must use the bevel washers that are included with the speaker. These washers provide a uniform flat surface for the shoulder of the bolt and also compensate for the draft (angle) of the walls of the cabinet. In this application, the thread length must be longer to reach through the washer, while not "bottoming out". The shaft should be 25.4 mm (1 inch). See Figure 3:



For top and bottom inserts, use 6 mm x 1mm pitch x 25.4 mm thread length steel forged shoulder eyebolt.

Figure 3: Cross Section of Top or Bottom of Cabinet

CAUTION

Installation must only be done by qualified persons using safe rigging practices. Load eyebolts in accordance with the eyebolt manufacturer's loading guidelines.

For additional information, refer to JBL Professional's Tech Note Vol 1 #14, "Basic Principles for Suspending Loudspeakers"

Eyebolt Sources -- These sizes of forged shoulder steel eyebolts are available from a wide variety of industrial hardware suppliers, or directly from JBL Professional:

EB-6X12 = 6 mm x 1mm pitch x 12 mm thread length, forged shoulder steel eyebolt, load rated.

EB-6X25 = 6 mm x 1 mm pitch x 25.4 mm thread length, forged shoulder steel eyebolt, load rated.