



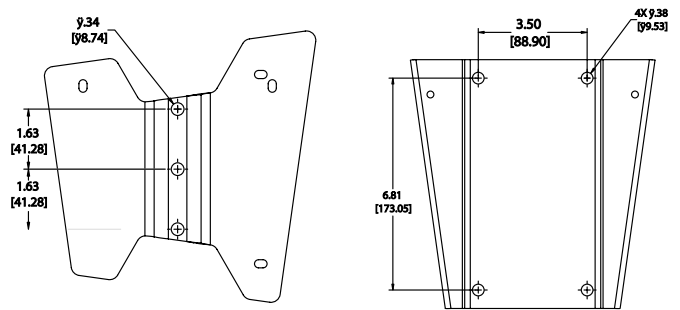
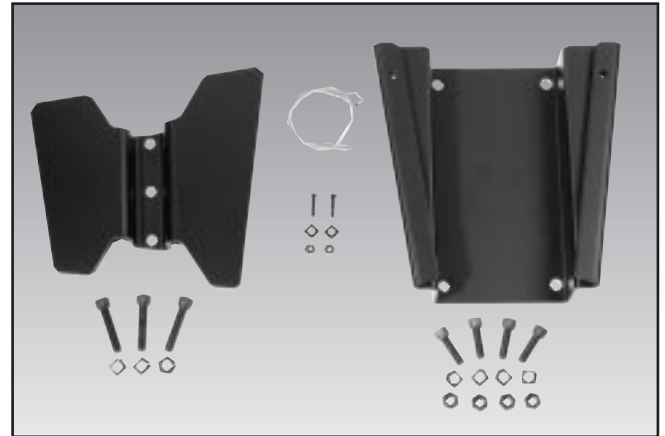
EVO WM300 OmniMount® Adapter Kit for EVO Loudspeakers

Application:

The EVO WM300 is a kit that permits the use of OmniMount wall mount accessory brackets with JBL EVO Loudspeakers.

Description:

The EVO WM300 is a black powder-coated, steel plate that provides a mechanical transition from the EVO Loudspeaker to OmniMount and other brackets with compatible hole spacing and sufficient load bearing capacity. The EVO WM300 facilitates easy mounting due to the nature of the design.



Specifications:

EVO WM300	
Compatibility	For use with JBL EVOi.324 compatible with OmniMount 300 Series mounting hardware
Design Factor	7:1
Kit Contents	<ul style="list-style-type: none"> • 1 x male speaker plate • 1 x female bracket plate • 3 (1.5") x 5/16" bolts (male speaker plate to handle bar) with lock washers (1/4" Allen [hex] wrench required) • 4 (1") x 5/16" (female bracket plate to Omnimount bracket) bolts, with nuts and lock washers (1/4" Allen [hex] and 1/2" wrench required) • 2 x safety bolts with nuts and washers (phillips head screwdriver and 11/32" wrench required) • 1 x safety cable

Caution:

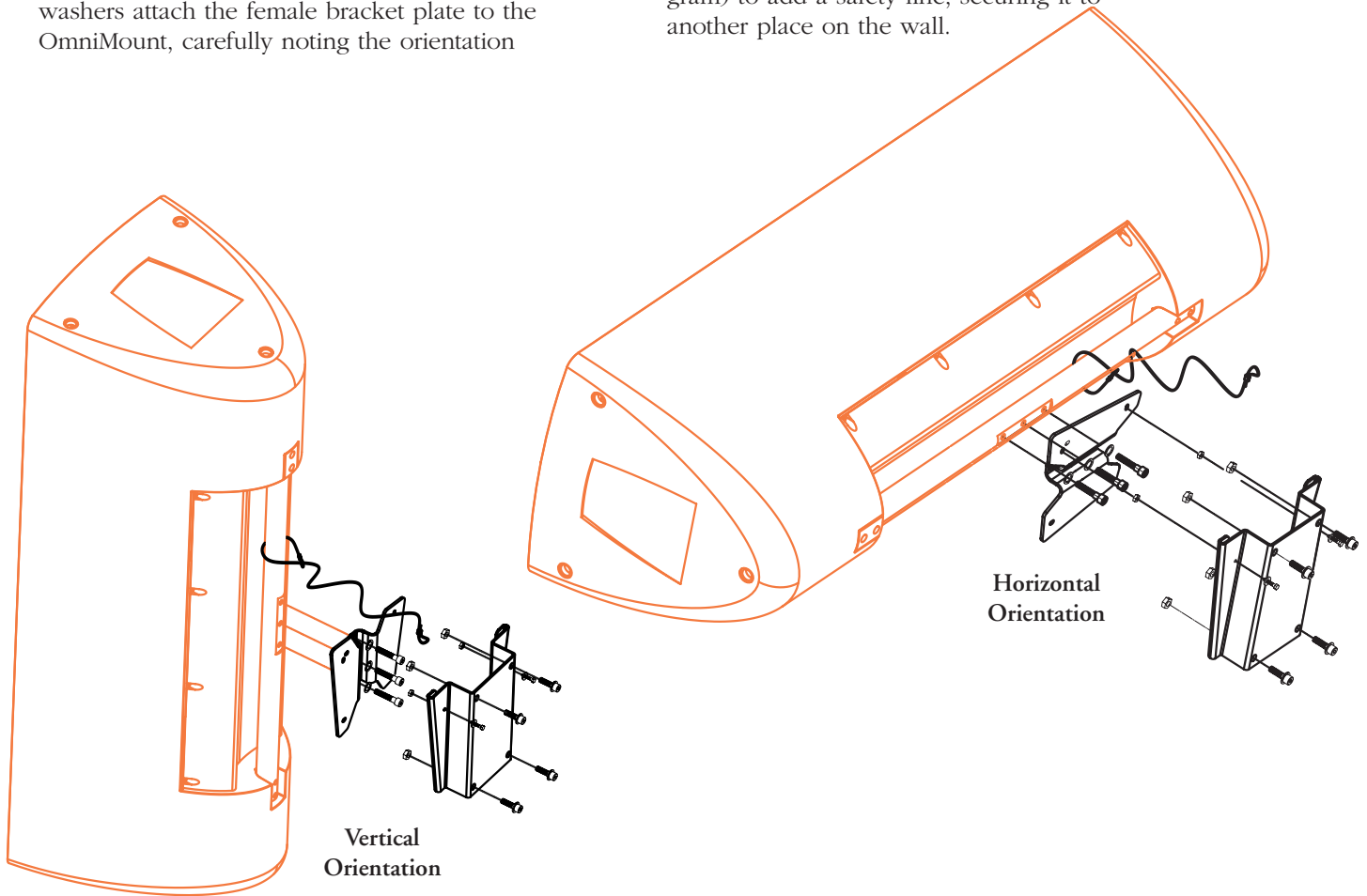
Unsafe mounting or overhead suspension of any heavy load can result in serious injury and equipment damage. Suspension of speakers should be done by qualified persons following safe rigging practices in accordance with all applicable local safety and construction standards. Before selecting a mounting point, be certain that it is capable of supporting the weight of the speaker to be suspended.

Do not use any hardware, bracket or fastener if it is damaged. Replace any damaged or suspect parts with the proper type prior to installation or suspension. Periodically inspect all hardware, fittings and brackets for damage and replace/re-torque as required.

► EVO WM300 OmniMount® Adapter Kit for EVO Loudspeakers

Installation:

1. Slide foam handle grip 'up' the handle bar to reveal three 5/16" threaded holes.
2. Using a thread locking material (LocTite#2 or equivalent) coat each 5/16" long bolt and attach the male speaker plate carefully noting the orientation (see diagram). The narrow end of the plate must point toward the bottom of the loudspeaker.
3. Attach the OmniMount or other bracket to the structure in accordance with the manufacturer's instructions.
4. Using the four 5/16" nuts, short bolts and washers attach the female bracket plate to the OmniMount, carefully noting the orientation (see diagram). The narrow end of the plate points towards the ground.
5. Pre-aim the female bracket plate on the OmniMount and secure the position.
6. Now bring the entire speaker to the wall bracket and carefully slide the male plate into the female plate bracket assembly.
7. Once firmly inserted use one safety bolt (the other is a spare) through the open holes in the female plate to ensure the male plate cannot be removed.
8. As a final precaution use the provided cable looped around the handle bar (shown in diagram) to add a safety line, securing it to another place on the wall.



JBL continually engages in research related to product improvement. New materials, production methods, and design refinements are introduced into existing products without notice as a routine expression of that philosophy. For this reason, any current JBL product may differ in some respect from its published description, but will always equal or exceed the original design specifications unless otherwise stated.

©Copyright 2001 JBL Professional



JBL Professional
8500 Balboa Boulevard, P.O. Box 2200
Northridge, California 91329 U.S.A.

■ A Harman International Company

SSEVO WM300
CRP 15M
7/01