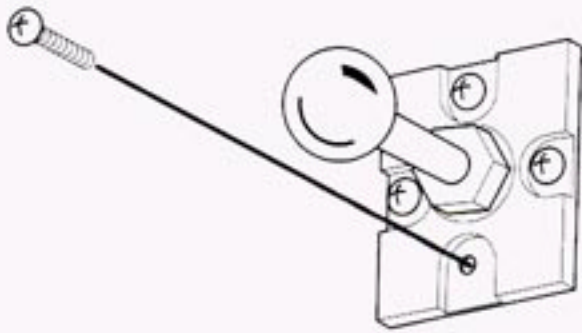
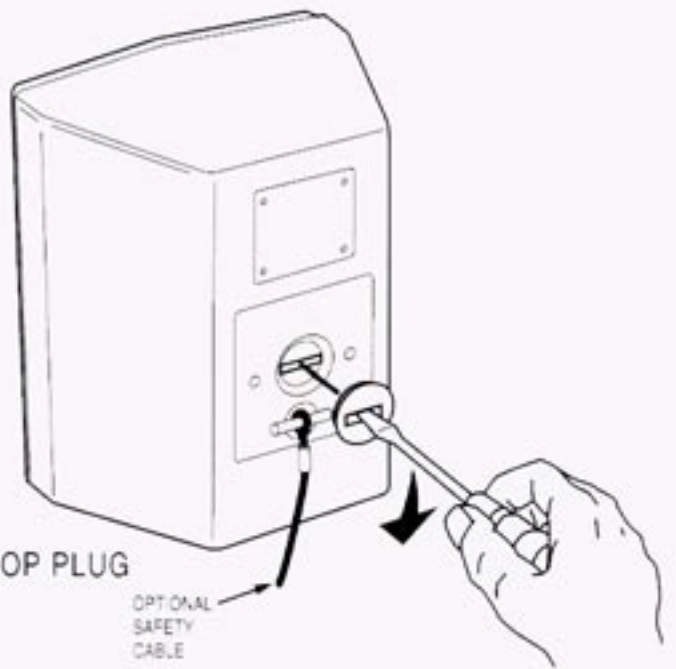


1



• MOUNT TO WALL

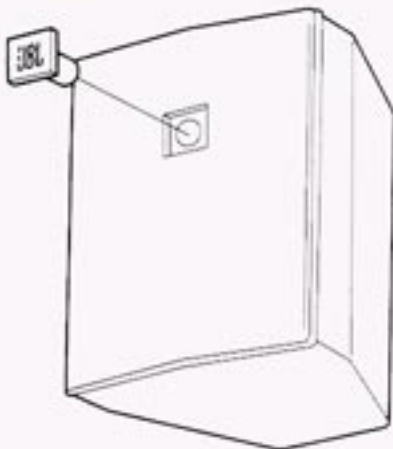
2



• POP PLUG

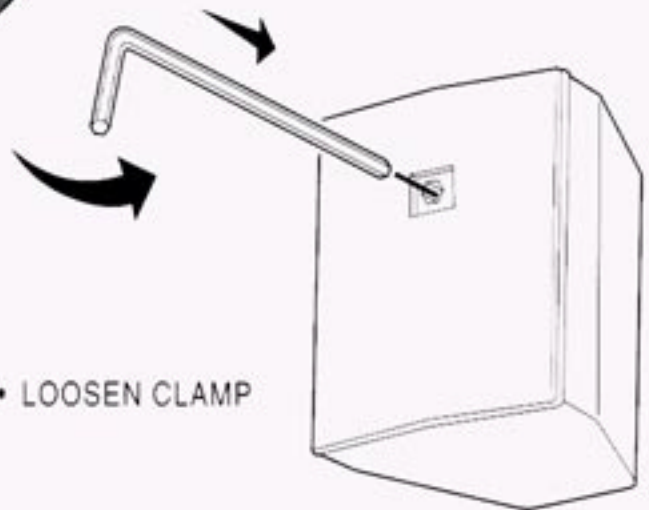
OPTIONAL
SAFETY
CABLE

3



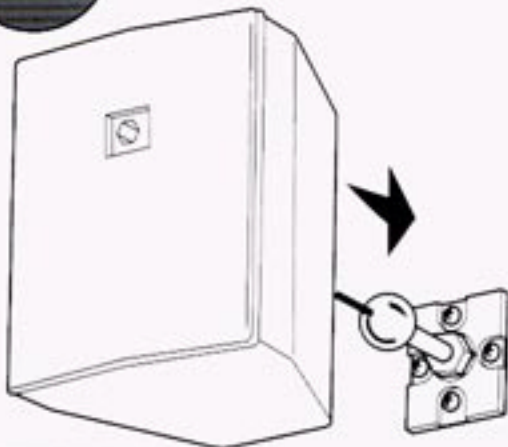
• REMOVE LOGO BADGE

4



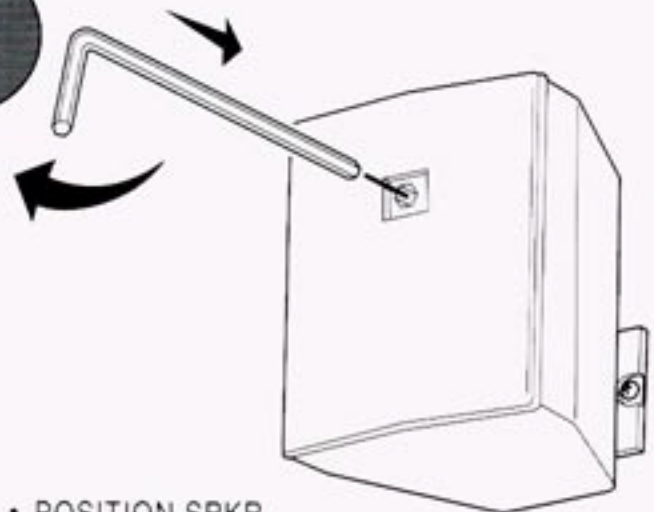
• LOOSEN CLAMP

5



• ATTACH SAFETY
CORD/MOUNT SPKR

6



• POSITION SPKR,
TIGHTEN CLAMP.
REPLACE LOGO BADGE