

EON BRK1 Loudspeaker Bracket Installation Guide

This product supports JBL's EON15, Power 15, and PowerSub Loudspeakers enabling them to be attached to any wall and provide two installation angles for optimum high frequency coverage (20° or 30°).

Use the following diagram to properly install the wall mount bracket and loudspeaker and check that the following items are included in this kit to assemble the EON15 loudspeaker to the mounting bracket:

- | | | |
|----|--------|--|
| 1. | 1 pc. | Mounting Bracket |
| 2. | 4 pcs. | Bolts with hex head |
| 3. | 4 pcs. | Flat washer |
| 4. | 4 pcs. | Lock washer |
| 5. | 2 pcs. | Spacer with sharp angle (no notch) |
| 6. | 2 pcs. | Spacer with shallow angle (with notch) |
| 7. | 1 pc. | Installation guide / paper template |
| 8. | 1 pc. | Product brochure |

Step 1.

Select the mounting area and determine the desired angle of installation (20° or 30°).

Step 2.

Select the proper wall mounting hardware that will support the weight of the EON15 Loudspeaker and mounting bracket.

Step 3.

Place this installation guide / paper template over the portion of wall that you wish to install the speaker too and mark the location of the four mounting holes. Install the selected mounting hardware to the wall while leaving about one half of an inch (12 mm) gap between the wall and the hardware. Place the bracket over the hardware to be sure that there is proper clearance.

Step 4.

Remove the bracket from the wall and attach it to the loudspeaker. Use figure 1 for a 30° angle down from vertical. Use figure 2 for a 20° angle down from vertical. In either installation, be sure to install the shallow angled, notched spacers toward the top of the bracket and the sharp angled, unnotched spacers toward the lower portion of the bracket. Tighten all four bolts securely.

Step 5.

Place the loudspeaker and bracket over the wall mounted hardware as in figure 1 or 2 then tighten securely.

Hole Center Location 5.5"/140 mm

Figure 1
(30 degrees)

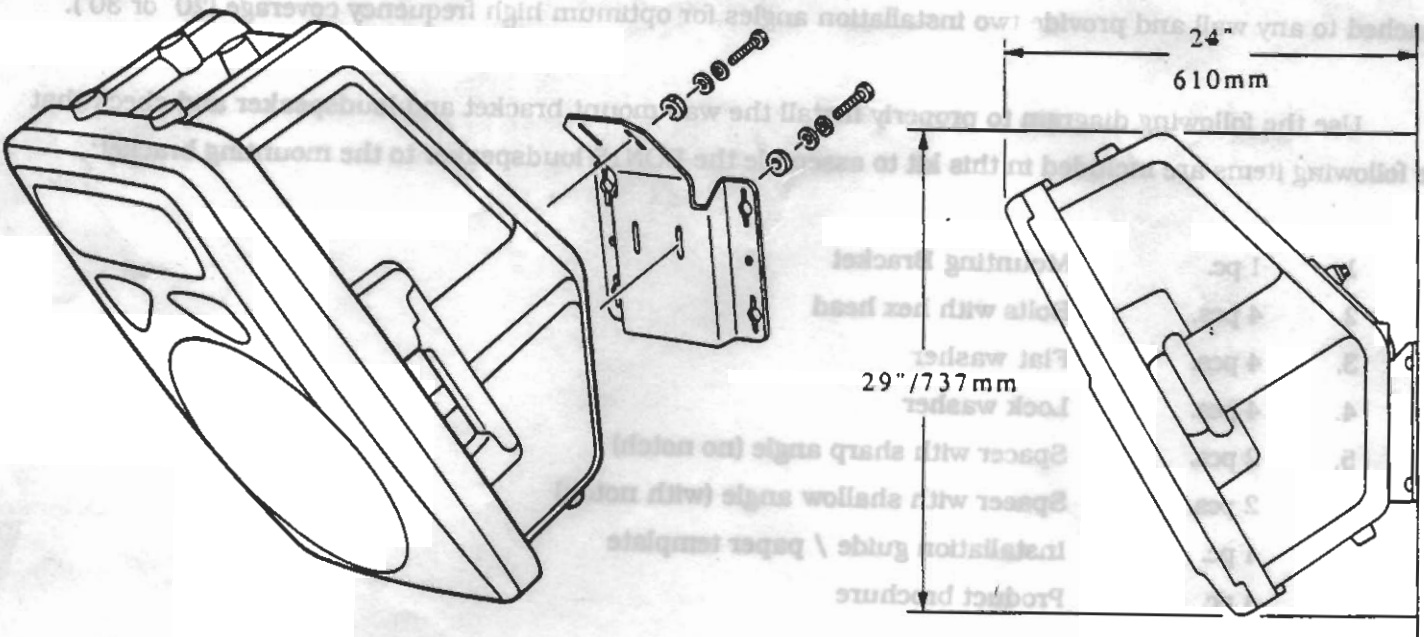
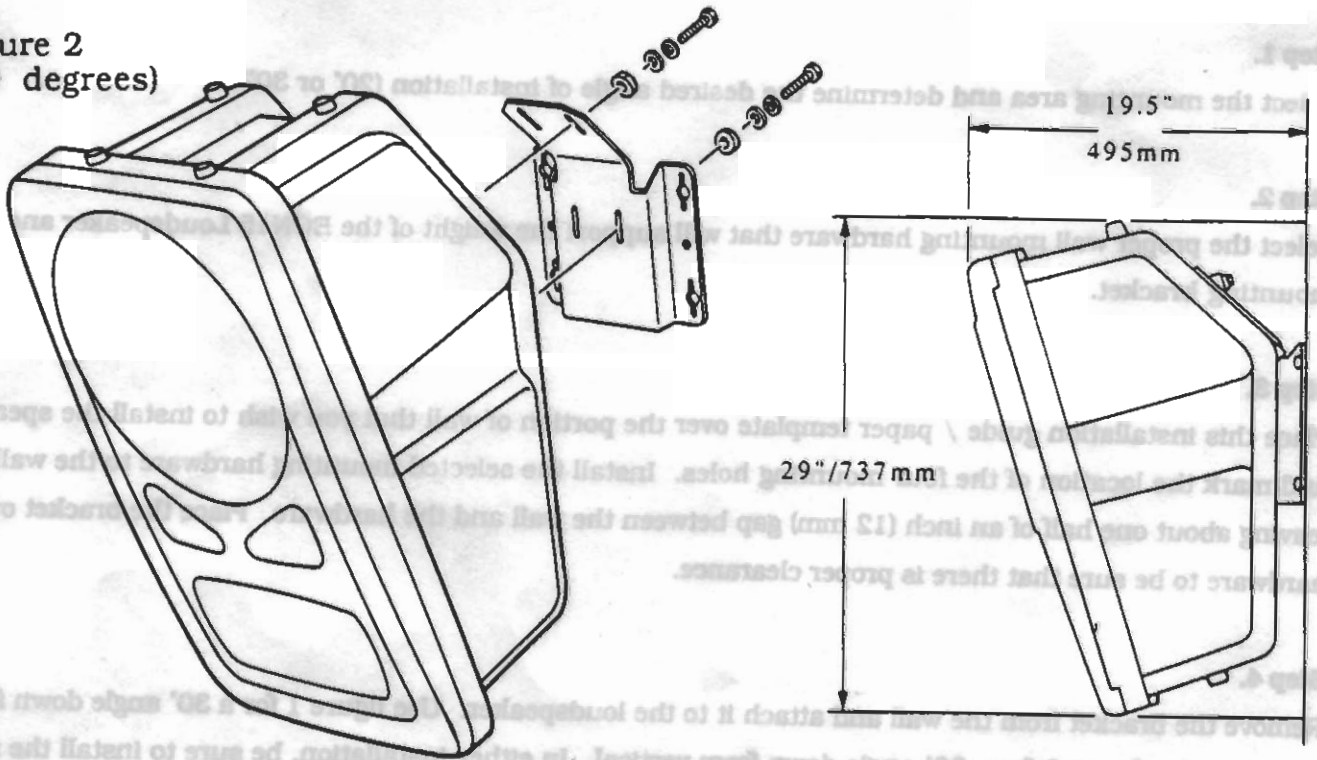


Figure 2
(20 degrees)



Caution: Installation of this bracket should only be performed by qualified personnel. DO NOT substitute any type of hardware for the hardware included in this kit. DO NOT attempt to suspend more than one EON Power15 with a single bracket

Note: Always be sure that the mounting surface is structurally capable of supporting the weight of the loudspeaker.

131B/0895

Hole Center Location 10.188"/259mm