

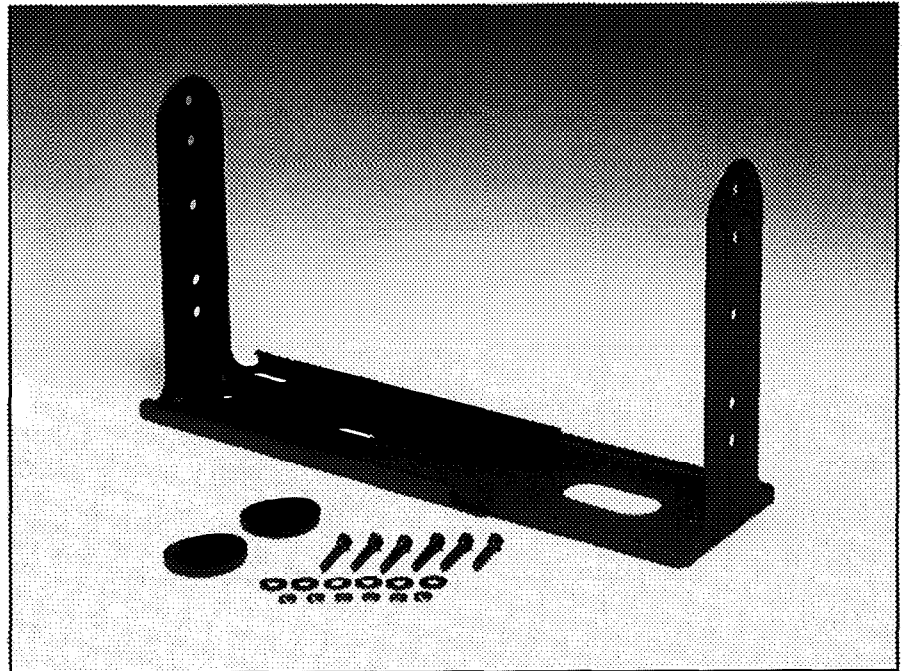


# 2503 Wall Mount Bracket

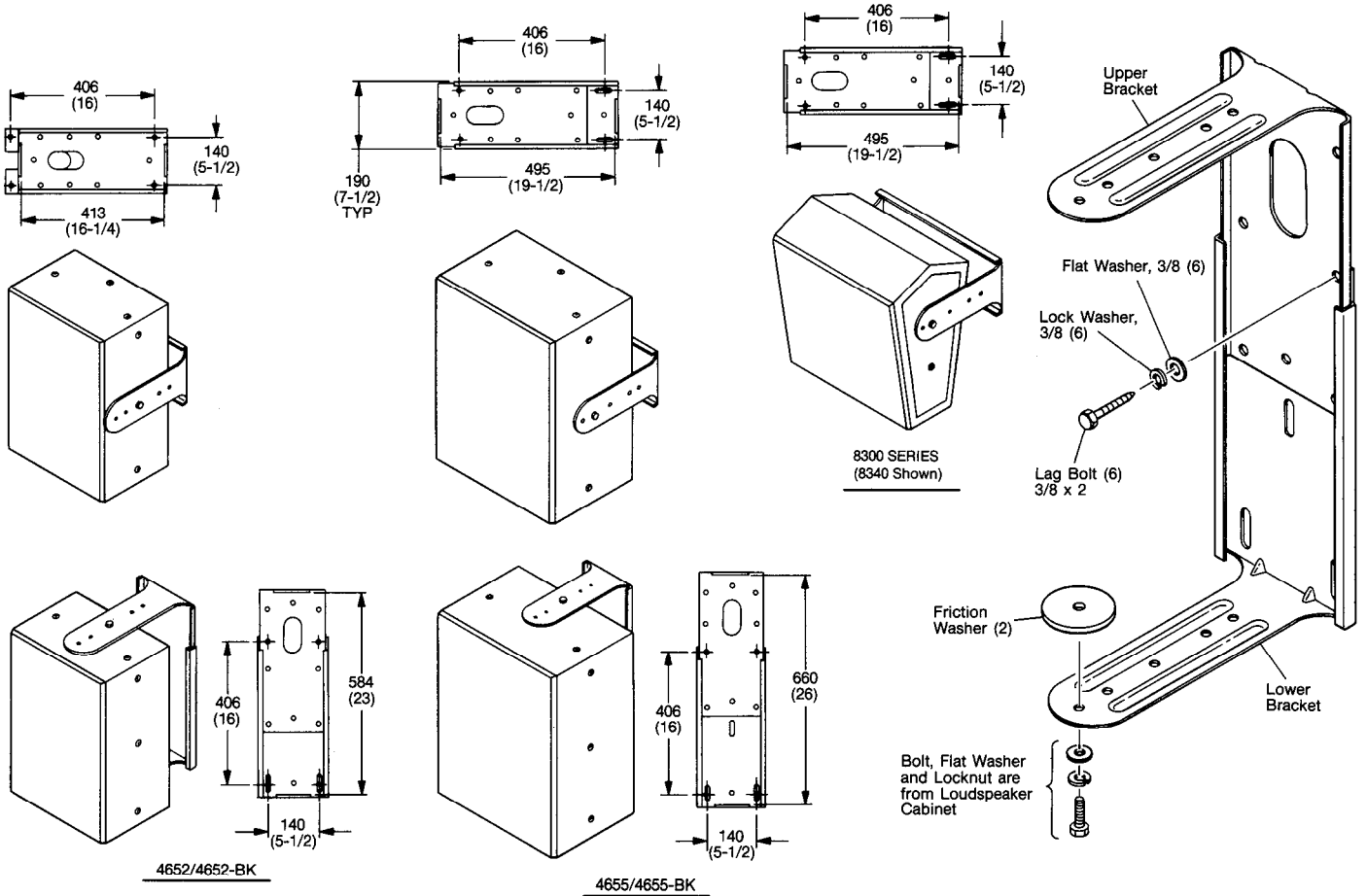
The 2503 Wall Mount Bracket was designed to be a highly versatile means of safely securing any of the JBL 8300 Series Surround speakers, and the JBL 4652 and 4655 Utility Sound Reinforcement systems to a wall surface. It is manufactured of rugged 10 gauge steel and finished in matte black. Its unique slide adjust feature allows the 2503 Wall Mount bracket to be used with the 4652/4655 in horizontal or vertical orientation. Pre-drilled holes are dimensioned to the 4652 and 4655 height and width, and the width of the 8300 series surround speakers. Speakers can be either tilted at a variety of angles or flush mounted to a wall surface, for optimal speaker aiming with minimal visual interference. Kit includes 3/8 x 2 lag bolts and flat/lock washers. Packed one bracket per carton.

**NOTE:** Always be sure that the mounting surface is structurally capable of supporting the weight of the loudspeaker.

**CAUTION:** Installing this bracket should only be done by qualified persons.



# ▶ 2503 Wall Mount Bracket



**CAUTION:**  
Installing this bracket should only be done by qualified persons.

JBL continually engages in research related to product improvement. New materials, production methods and design refinements are introduced into existing products without notice as a routine expression of that philosophy. For this reason, any current JBL product may differ in some respect from its published description but will always equal or exceed the original design specifications unless otherwise stated.



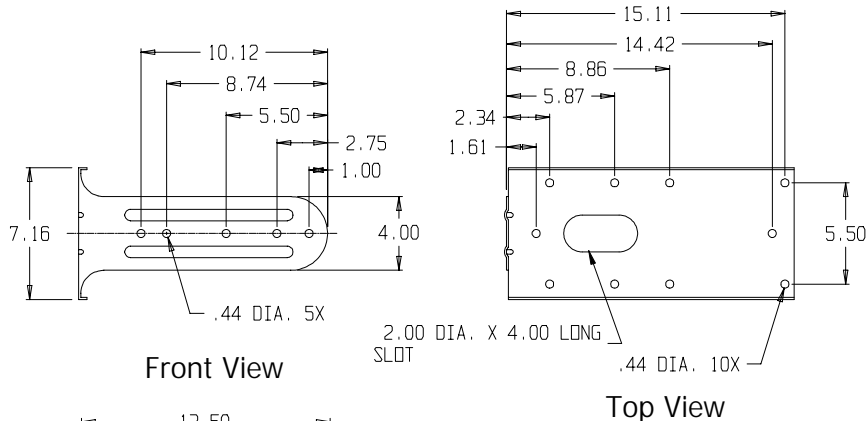
JBL Professional  
8500 Balboa Boulevard, P.O. Box 2200  
Northridge, California 91329 USA

# 2503

## Adjustable Mounting Bracket

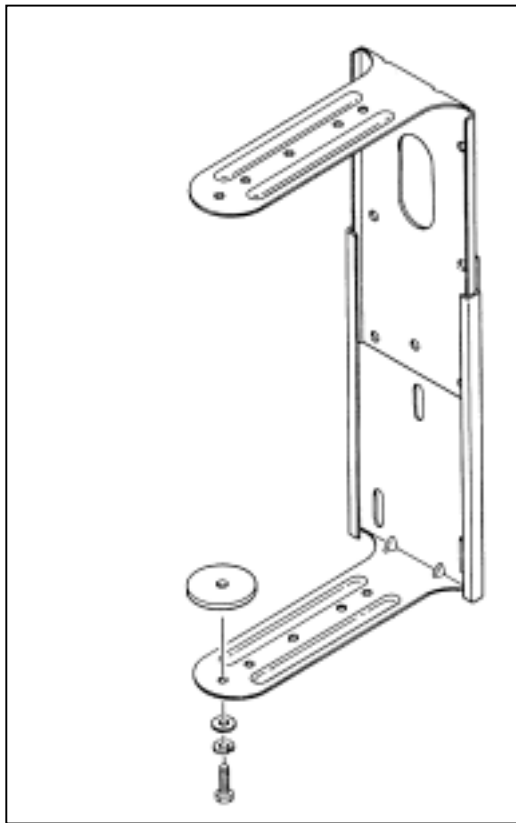
### Inner Bracket

Note: Dimensions in Inches



### Hardware kit:

- 2 pcs. Gasket, 3/8" x 3" x 1/4" thick
- 6 pcs. 3/8" x 2" hex lag bolt
- 8 pcs. 3/8" Flat washer
- 2 pcs. 5/16" Lock washer
- 8 pcs. 3/8" Split lock washer
- 2 pcs. 5/16" Flat washer



### Outer Bracket

