



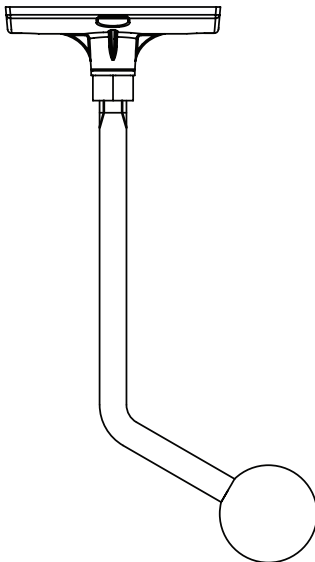
MTC-30CM (-WH)

Control 30 Ceiling Mount Invisiball Assembly

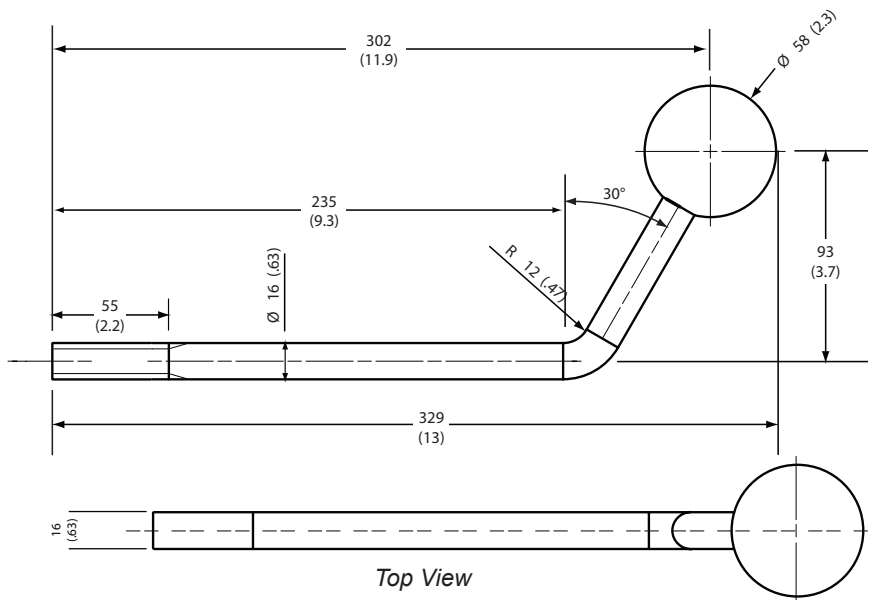
The MTC-30CM Invisiball Assembly is designed for use with the JBL Professional Control 30 Loudspeaker System. The Ceiling Mount allows installation of the enclosure to sturdy ceiling structures by utilizing the internal Invisiball mechanism.

The MTC-30CM is finished in Powder Coating and can be ordered in Black or White. (-WH)

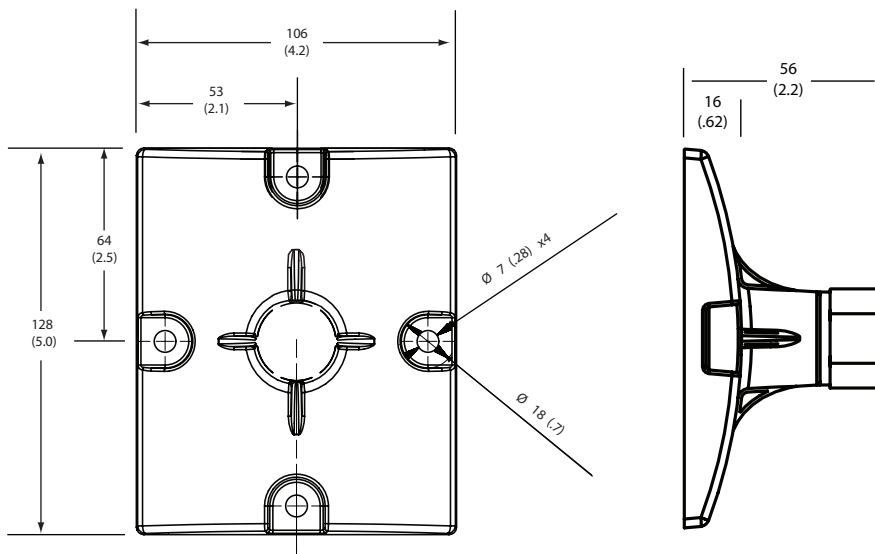
**Invisiball
Assembly**



Invisiball Arm



Mounting Plate



Dimensions in mm (in)