



Application:

- ▶ Fixed Installations
- ▶ Houses of Worship
- ▶ Schools
- ▶ Performing Arts Centers
- ▶ Civic Venues

Key Features:

EVOi.net

- ▶ 2 Balanced XLR Inputs
- ▶ 4 Balanced XLR Outputs, Mono Sum capability
- ▶ Dedicated JBL Measurement Microphone Input w/100 ft. Signal cable.
- ▶ Automated Acoustic Set-up Control, Auto-EQ, Delay Setting.
- ▶ Automatic Feedback Suppression Control, Anti Feedback Control, Fixed and Dynamic functions
- ▶ Automatic Self Diagnostics Reporting LEDs
- ▶ Input Signal LED indicators
- ▶ 4 Pre-set EQs for selectable system response, Neutral, Speech, Music I, Music II
- ▶ Set-up Lock-out security facility
- ▶ System Test function
- ▶ RS232 port for EVO DCI (Digital Control Interface)
- ▶ RJ45 Links for future applications

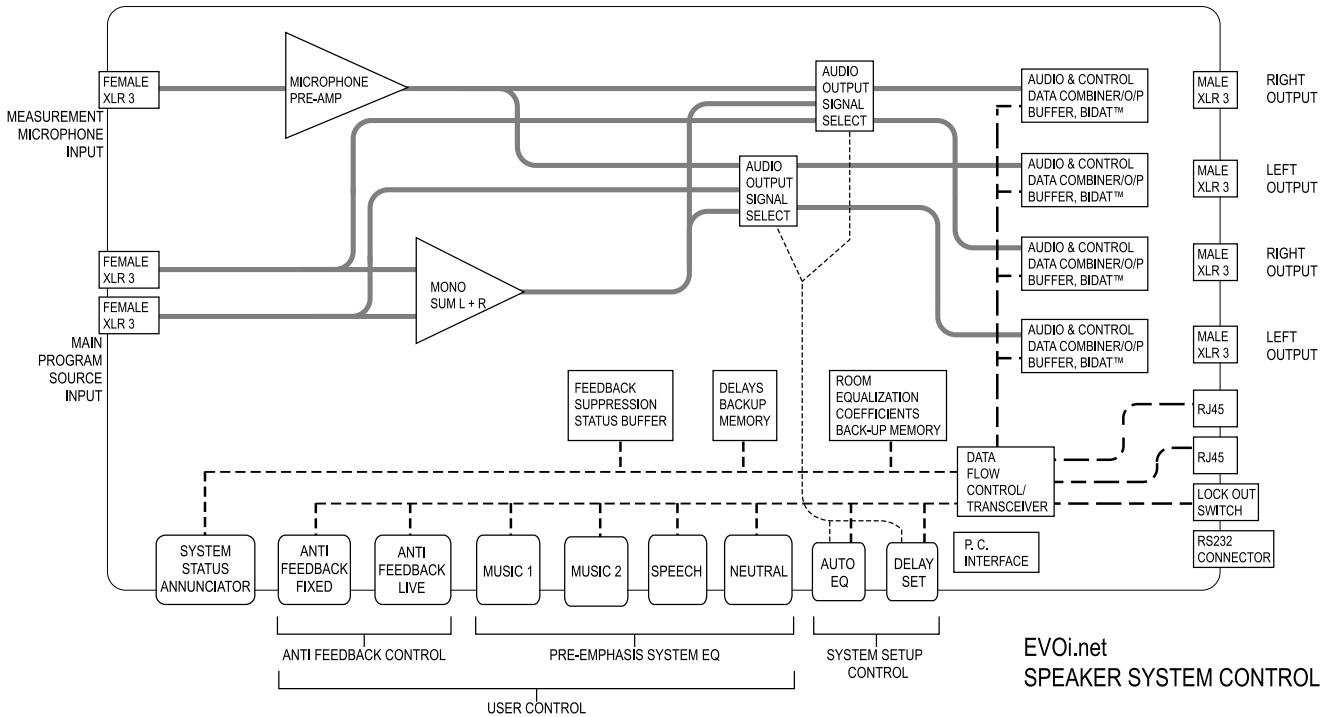


Specifications:

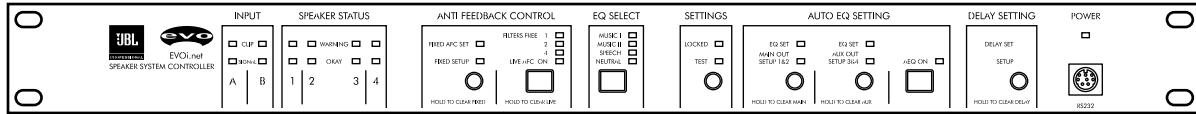
Inputs:	2 channels, Max. level +20 dB (7.5 Vrms), 8k Ohms impedance, Electronically Balanced, XLR connectors, pin 2+ 1 Dedicated JBL Measurement Microphone, XLR
Outputs:	4 Channels, Dedicated EVO Intelligent Speaker outputs, Electronically Balanced, XLR connectors, pin 2+. Outputs 3 & 4 dedicated Auxiliary System Outputs, with "Delay Set" option and Mono Sum capability.
Signal-to-Noise Ratio:	>110 dB, 22 Hz - 22 kHz
THD:	<0.01%, 20 Hz - 20 kHz @ +10 dBu
Front Panel Controls:	Auto-EQ Setting, Delay Setting, Test Function, User EQ Select, User Anti Feedback Control.
Front Panel Indicators:	Input signal monitoring, Speaker Status Self Diagnostics, System Locked, Power On.
Rear Panel Controls:	Outputs 1 & 2 Mono Sum, outputs 3 & 4 Mono Sum, System Lock switch
Other Connectors:	RS232 front panel, 2 x RJ45 rear panel.
Frequency Response (± 0.5 dB):	20 Hz - 20 kHz
Power Requirements:	100-240 Volts 50/60 Hz $\pm 10\%$
Measurement Mic:	Dedicated EVO, electret type microphone with clip and hard storage case.
Mic. Signal Cable:	30.5 m (100 ft) XLR Signal Cable
Dimensions:	44.4 x 483 x 171 mm (1.75 x 19 x 6.73 in)
Weight:	2.6 kg (5.7 lbs)
Shipping Size:	292 x 210 x 559 (11.5 x 8.25 x 22 in)
Shipping Weight:	6.35 kg, (14 lbs)

JBL continually engages in research related to product improvement. New materials, production methods and design refinements are introduced into existing products without notice as a routine expression of that philosophy. For this reason, any current JBL product may differ in some respect from its published description, but will always equal or exceed the original design specifications unless otherwise stated.

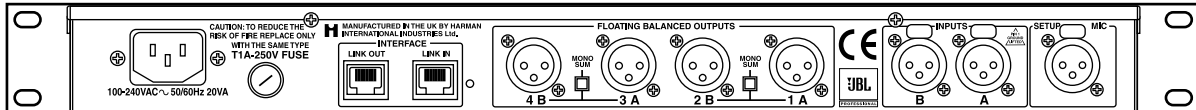
▶ EVOi.net Intelligent Speaker System Controller



Front Panel:



Rear Panel:



JBL Measurement Microphone



Directional Characteristics: Omni-Directional
 Element: Electret Condenser
 Frequency Response: 20 Hz ~ 20,000 Hz
 Impedance: 250 ohms ± 30% (at 1,000 Hz)
 Sensitivity: -63 dB ± 3 dB (0 dB = 1 V/micro bar
 1,000 Hz inductaed by open circuit)
 Operating Voltage: Phantom Power; 9v ~ 52v D.C.
 Dimensions: 19 x 145 mm (0.75 in x 5.71 in)
 Connector: 3-pin XLR (male)



JBL Professional
 8500 Balboa Boulevard, P.O. Box 2200
 Northridge, California 91329 U.S.A.

© A Harman International Company
 © Copyright 2001 JBL Professional

SS EVOi.net
 CRP 15M
 12/01