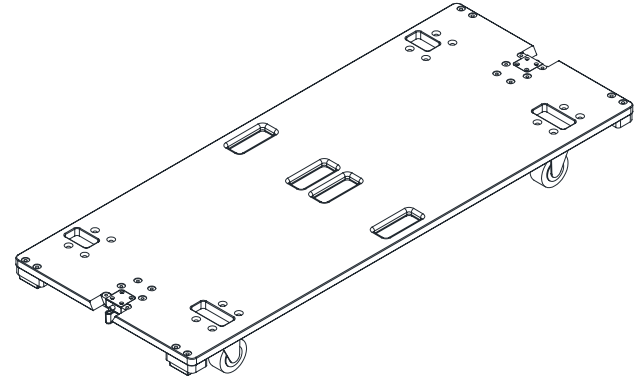


VTX-G28-ACC | Accessory Cover and Casterboard

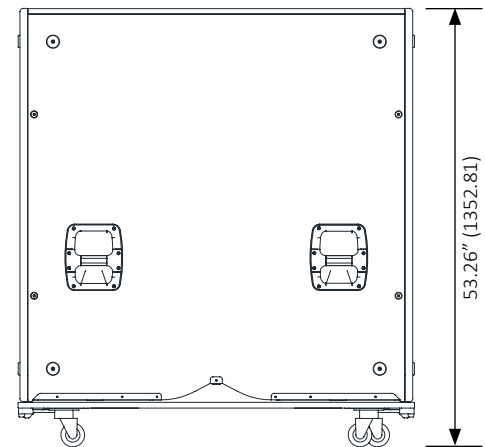
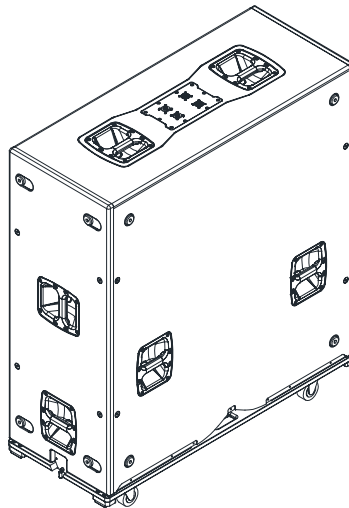
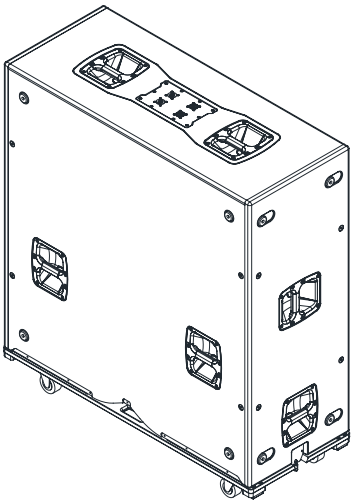
Features:

- Compatible with VTX G28
- Includes padded protective cover and caster-board
- Handle cutouts and rear panel access flap
- Speaker cabinets can be tested without fully removing the cover
- Tour grade casters
- Stackable for convenient storage
- Rotating release/lock cam mechanisms for secure attachment to G28 enclosures



Description:

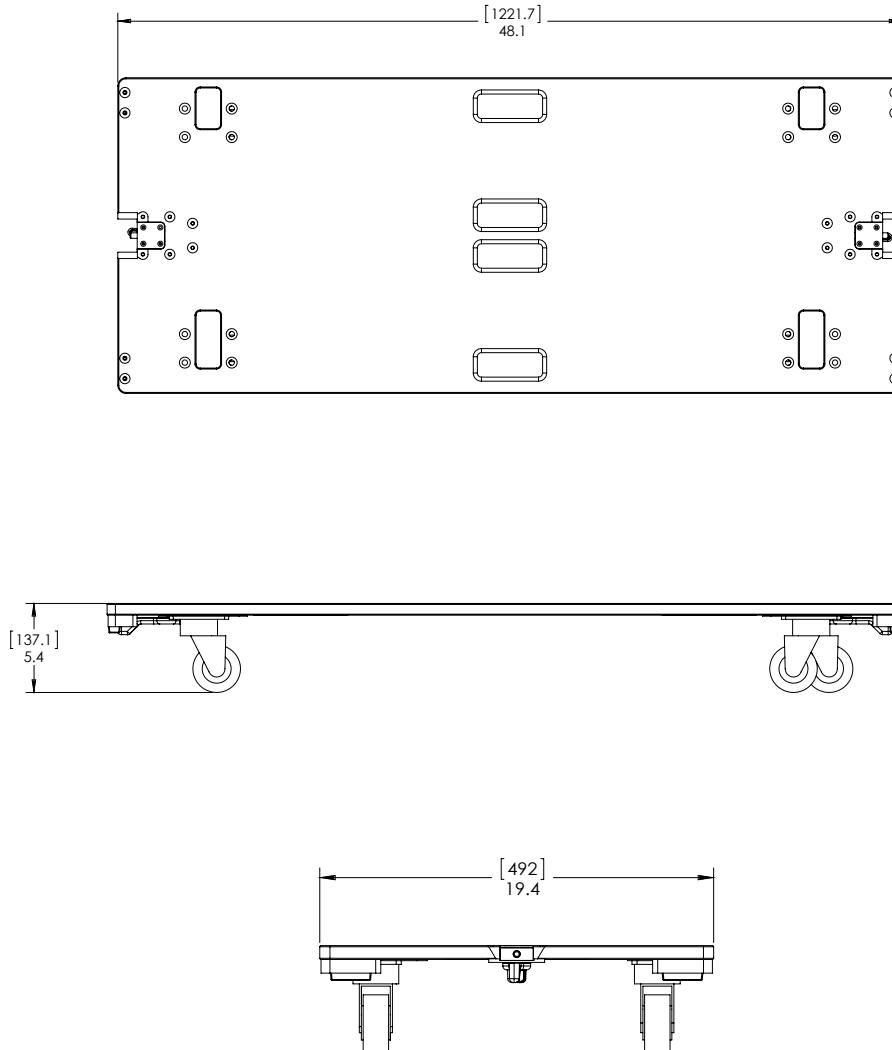
VTX Series S28 Accessory Kit for transportation and protection of one VTX G28 enclosure. Includes: padded, reinforced protective cover with handle cutouts and rear panel access flap; dolly caster-board with rugged tour grade casters and rotating cam mechanism for secure attachment to G28 enclosure.



Included:

- 1 x VTX G28 caster-board
- 1 x padded protective cover

Dimensions:



Specifications:

VTX-G28-ACC

Construction: Board: exterior grade birch plywood
Hardware: Stainless Steel / Zinc Plated Steel

Dimensions (H x W x D): 137.10 mm x 1221.75 mm x 492.0 mm
(5.40 in x 48.10 in x 19.4 in)

Net Weight

Casterboard: 11.79 kg (26.0 lbs)

Cover: 7.71 kg (17.0 lbs)
