



# MTC-300T150

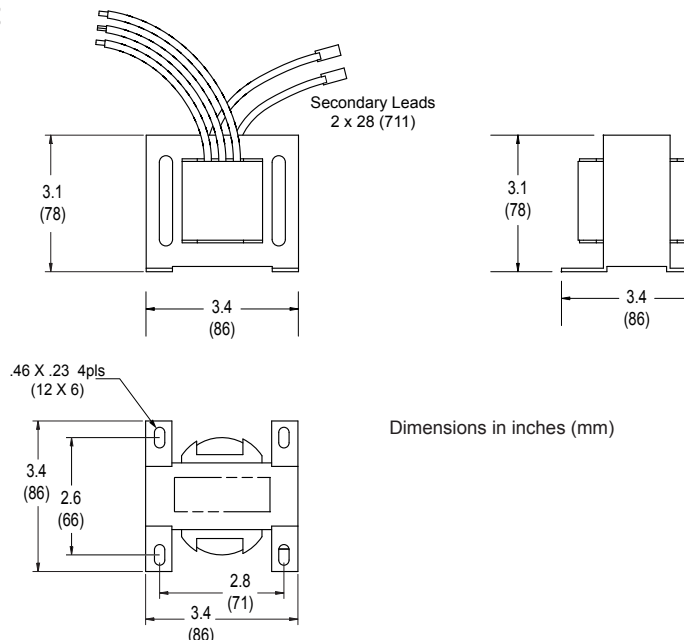
## 150 Watt Transformer

MTC-300T150 is a 150 watt transformer for use on either 70V or 100V distributed loudspeaker lines. The MTC-300BB12 backbox includes an internal mounting location with preinstalled mounting studs.

### Connection:

Primary (from Amp)	Secondary (to Speaker)
Orange: 150W @ 70V n/c @ 100V	Yellow: Positive (+)
Blue: 75W @ 70V 150W @ 100V	Green: Negative (-)
Black: Common	

### Dimensions:



JBL Professional  
8500 Balboa Boulevard, P.O. Box 2200  
Northridge, California 91329 U.S.A.  
A Harman International Company