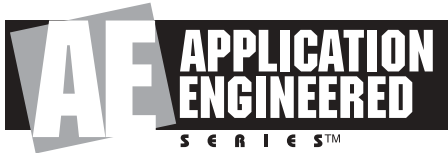




AM4315/64 3-Way Loudspeaker with 1 x 15" LF Driver and Rotatable Horn



Key Features:

- ▶ 60° x 40° Coverage, rotatable for use in either vertical or horizontal orientation.
- ▶ CMCD™ Cone Midrange Compression Driver provides low midrange distortion, increased sensitivity, extended bandwidth and improved phase coherency.
- ▶ PT™ Progressive Transition Waveguide for excellent pattern control with low distortion.
- ▶ Bi-Amp/Tri-Amp Switchable.
- ▶ Optional planar array frame kit (see AE Series Array Guide).

Applications:

- ▶ Performing arts facilities
- ▶ Theatrical sound design
- ▶ Auditoriums
- ▶ Houses of worship
- ▶ Live clubs
- ▶ Dance-clubs/discotheques
- ▶ Sports facilities
- ▶ Themed entertainment venues

AM4315/64 is a medium power 3-way full-range loudspeaker system comprised of one 380 mm (15 in) low frequency driver, one 165 mm (6.5 in) CMCD Cone Midrange Compression Driver and one 38 mm (1.5 in) exit/38 mm (1.5 in) voice-coil HF compression driver. The multi-band PT Progressive Transition mid-high frequency waveguide provides well-controlled 60° by 40° coverage and is rotatable for cabinet positioning in either horizontal or vertical orientation. High-slope crossovers minimize band overlap and well-controlled off-axis response enhances arrayability.

The cabinet is fitted with M10 threaded suspension points. Pre-engineered array bracketry is available.

AM4315/64 is part of JBL's AE Application Engineered Series, a versatile family of loudspeakers for a wide variety of fixed installation applications.



Specifications:

System:	
Frequency Range ¹ (-10 dB):	40 Hz – 23 kHz
Frequency Response ¹ (±3 dB):	50 Hz – 20 kHz
Coverage Pattern:	60° x 40°, rotatable waveguide
Directivity Factor (Q):	25
Directivity Index (DI):	14 dB
Crossover Modes:	Bi-amp/Passive switchable
Passive Crossover Slopes:	LF/MF & MF/HF in Passive mode: 4th order (24 dB/oct) Linkwitz-Riley HP & LP, 500 Hz and 2.8 kHz
Transducer Power Rating (AES):	LF: 500 W (2000 W peak), 2 hrs 350 W (1400 W peak), 100 hrs MF/HF: 125 W (500 W peak), 2 hrs 100 W (400 W peak), 2 hrs
Long-Term System Power Rating (IEC):	Passive mode: 350 W (1400 W peak), 100 hrs
Maximum SPL:	Bi-amp mode: LF: 124 dB-SPL cont avg (130 dB peak) MF/HF: 127 dB-SPL cont avg (133 dB peak) Passive mode: 124 dB-SPL cont avg (130 dB peak)
System Sensitivity ⁶ (1W @ 1m):	Passive mode: 97 dB SPL
Transducers:	
<u>Low Frequency Driver:</u>	1 x JBL 2033H 380 mm (15 in) driver with 75 mm (3 in) voice coil
Nominal Impedance:	8 ohms
Sensitivity ⁶ (1W @ 1m, within operational band):	97 dB SPL
<u>Midrange Driver:</u>	JBL CMCD-61H Cone Midrange Compression Driver with integral 165 mm (6.5 in) diameter internal driver
Nominal Impedance:	8 ohms
Sensitivity (1W @ 1m):	106 dB SPL
<u>High Frequency Driver:</u>	JBL 2407H/MTA, 38 mm (1.5 in) exit compression driver, 38 mm (1.5 in) voice coil
<u>Waveguide:</u>	PT-K64MH
Physical:	
Enclosure:	Trapezoidal with 15 degree side angles, 16 mm (5/8 in) exterior grade 11-ply Finnish birch plywood
Suspension Attachment:	13 points (3 top, 3 bottom, 2 each side, 3 rear), M10 threaded hardware
Finish:	Black DuraFlex™ finish. White available upon request.
Grille:	Powder coated 14 gauge perforated steel, with acoustically transparent black foam backing.
Input Connector:	NL4 Neutrik Speakon [®] and CE-compliant covered barrier strip terminals. Barrier terminals accept up to 5.2 sq mm (10 AWG) wire or max width 9 mm (.375 in) spade lugs. Speakon in parallel with barrier strip for loop-through.
Environmental Specifications:	Mil-Std 810; IP-x3 per IEC529.
Dimensions (H x W x D in vertical cabinet orientation):	967 x 561 x 657 mm (38.1 x 22.1 x 25.9 in)
Net Weight:	46.7 kg (103 lb)
Optional Accessories:	M10 x 35 mm forged shoulder eyebolts with washers Optional planar array frame kit. See AE Series Bracket Guide

¹Bi-amp mode, with recommended active tuning.

²Resultant engineered acoustical response of crossover network and components.

³AES standard, one decade pink noise with 6 dB crest factor within device's operational band, free air. Standard AES 2 hr rating plus long-term 100 hr rating are specified for low-frequency transducers.

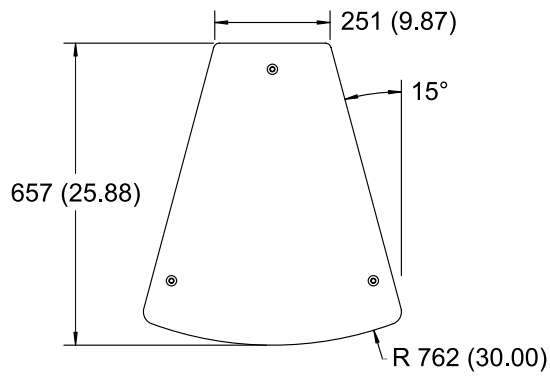
⁴IEC standard, full bandwidth pink noise with 6 dB crest factor, 100 hours.

⁵Calculated based on power rating and sensitivity, exclusive of power compression.

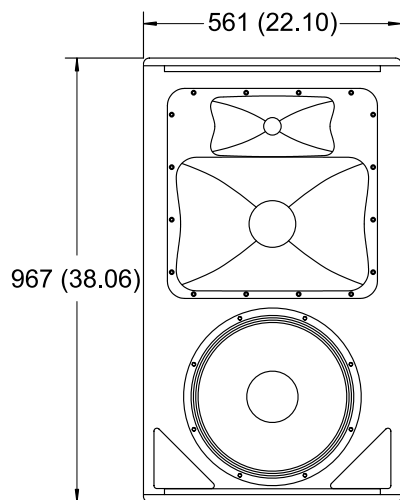
⁶Anechoic sensitivity in free field, no additional sensitivity gain from boundary loading.

JBL continually engages in research related to product improvement. Changes introduced into existing products without notice are an expression of that philosophy.

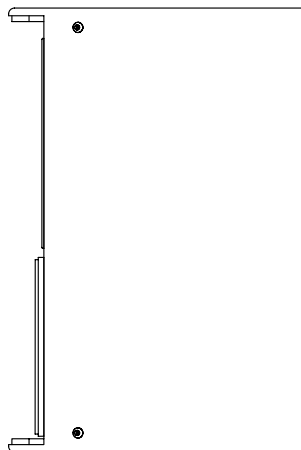
► AM4315/64 3-Way Loudspeaker with 1 x 15" LF Driver and Rotatable Horn



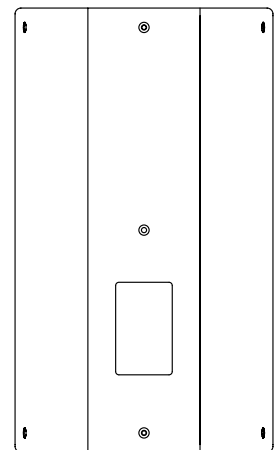
Top



Front



Side



Back



JBL Professional
8500 Balboa Boulevard, P.O. Box 2200
Northridge, California 91329 U.S.A.

■ A Harman International Company
© Copyright 2002 JBL Professional

SS AM4315/64
CRP 5M
10/04