



8450

Very High Power Cinema Surround Speaker for Digital Surround Sound Immersion Application

Professional Series

Key Features:

- ▶ 60 Hz to 19 kHz Frequency Range
- ▶ High Sensitivity, 97 dB SPL, 1 W, 1 m (3.3 ft)
- ▶ High Power Handling Capability: 350 watts continuous pink noise
- ▶ Convenient mounting design uses JBL QuickMount™, Omnimount® or APC Multimount brackets
- ▶ Special cabinet shape incorporates 20° angled front baffle
- ▶ Lightweight, rigid molded enclosure
- ▶ Input terminals located on top of cabinet for quick access
- ▶ Uniform horizontal and vertical coverage
- ▶ Optimized audio performance for digital surround sound immersion experience



Applications:

The 8450 Cinema Surround Speaker offers very high power handling, high sensitivity, extended bass response and high frequency in a very compact enclosure. The two-way 8450's reliability and performance features position it as the ideal high power surround for the extended dynamic range required by any digital surround immersion sound formats.

The 8450 features a high power, long-throw 250 mm (10 in) low frequency driver for smooth, extended bass response. The high frequency section combines a 38 mm (1.5 in) coil diameter compression driver with a constant coverage horn for very high output capability and wide, even high frequency coverage. The 350 watt continuous power rating (1400 watt peak) provides extended dynamic range required for digital sound tracks with absolute reliability.

Its modern, molded black textured enclosure with black grille enhances any decor.

JBL's QuickMount bracket allows one person to quickly and simply mount the very lightweight enclosure on a previously installed bracket half.

Build to traditional JBL quality standards, the 8450 will stand up to long-term use under adverse conditions while delivering excellent performance.

Omnimount is a registered trademark of Omnimount System.

Specifications:

System:	
Frequency Range (-10 dB) ¹ :	60 Hz - 19 KHz
Frequency Response (±3 dB) ¹ :	75 Hz - 18 KHz
Power Rating ¹ :	350 watts continuous pink noise, 1400 watts peak
System Sensitivity (1w @ 1m) ² :	99 dB - SPL half-space/wall-mounted 97 dB - SPL free-field
Maximum Peak SPL ³ :	130 dB/1m
Nominal Impedance:	8 ohms
Hor. Coverage Angle (-6 dB):	100° averaged 400 Hz to 12 kHz
Vert. Coverage Angle (-6 dB):	80° averaged 400 Hz to 12 kHz
Directivity Factor (Q):	7 averaged 400 Hz to 12 kHz
Directivity Index (DI):	8.4 dB averaged 400 Hz to 12 kHz
Crossover Frequency:	1.5 kHz
Polarity:	EIA (Positive voltage to RED terminal gives forward cone motion)
Low Frequency Transducer:	
Nominal Diameter:	250 mm (10 in) 64 mm (2.5 in) voice coil
High Frequency Transducer:	
Nominal Diameter:	25 mm (1 in) exit 38 mm (1.5 in) voice coil
Physical:	
Downward Firing Angle:	Nominal 20° when mounted flush on back panel
Enclosure Material:	Textured Black H.I.P.S. Plastic
Grille Color:	Black
Input Connectors:	Binding Posts
Dimensions (H x W x D):	457 mm x 457 mm x 260 mm (18 in x 18 in x 10.25 in)
Net Weight:	9.4 kg (21 lb)

1 Rating based on test signal of IEC filtered random noise with a peak-to-average ratio of 6 dB, two hours duration.

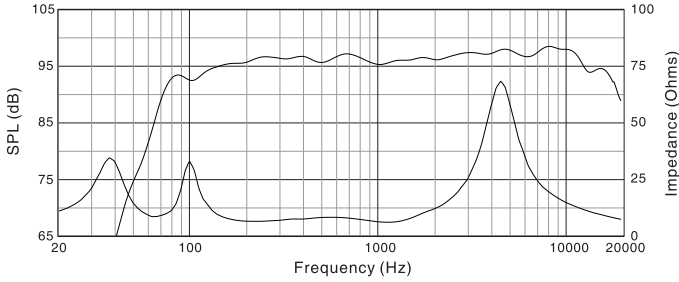
2 Average measured free-field and half-space sensitivity at 2.83V/1m from 200 Hz to 12 kHz.

3 Calculated maximum SPL based on rated power handling and half-space sensitivity.

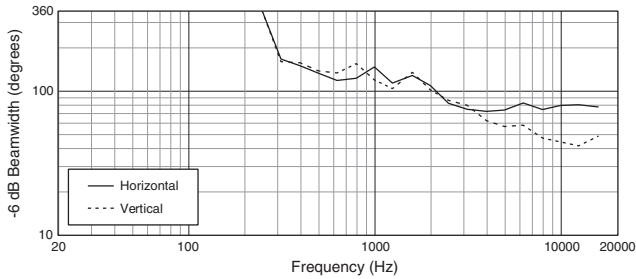
JBL continually engages in research related to product improvement. Some materials, production methods and design refinements are introduced into existing products without notice as a routine expression of that philosophy. For this reason, any current JBL product may differ in some respect from its published description, but will always equal or exceed the original design specifications unless otherwise stated.

► 8450 Very High Power Cinema Surround Speaker for Digital Surround Sound Immersion Application

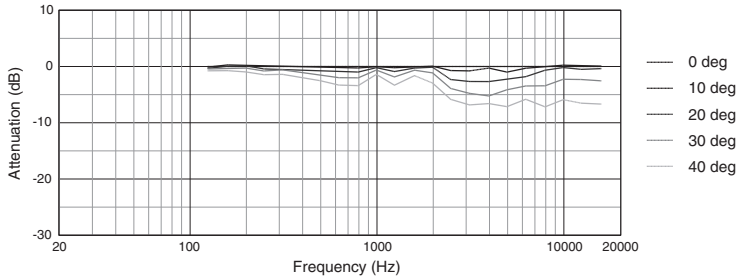
Frequency Response in full space & Impedance:



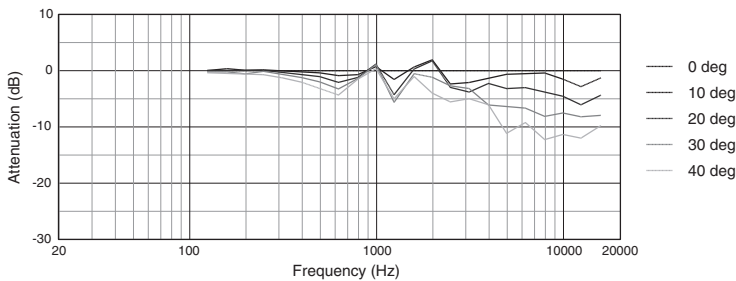
Beamwidth:



Horizontal Off-Axis Frequency Response:

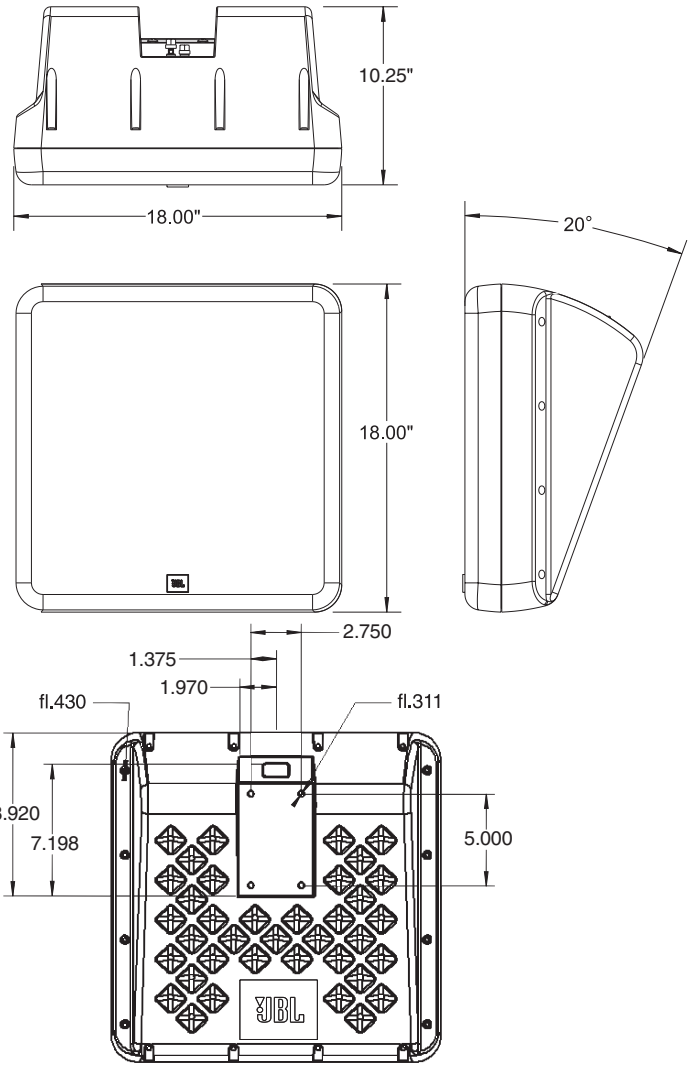


Vertical Off-Axis Frequency Response (down):



Dimensions:

Dimensions in inch



PROFESSIONAL
by HARMAN

JBL Professional
8500 Balboa Boulevard, P.O. Box 2200
Northridge, California 91329 U.S.A.

© Copyright 2014 JBL Professional
www.jblpro.com

SS8450
SZ
04/15