



2517 Speaker Mount

Pan and Tilt Rotations



This design quickly and permanently attaches JBL 8330A and 8340A surround loudspeakers to auditorium walls and offers a full range of pan and tilt rotations. This makes it easy to precisely mount and accurately aim surround speakers in cinema applications. The extended support arm firmly anchors to walls through sound wall and drapery (up to 2.5"/63.5 mm deep) to allow secure and concealed mounting.

The 2517's unique support arm also acts as a convenient carrying handle during installation. Once the arm (speaker) has been inserted into place, the mounting plate does the job supporting all the weight leaving the installer's hands free to complete the wiring and aiming process.

Specification:

Material:	Alloy steel	Design factor:	10:1 ratio
Finish:	Powder coat paint	Net Wgt:	1.5 lb. (.7 kg) each
Color:	Black	Shipping wgt:	4 lbs. (1.8 kg) pair
Working Load:	20 lbs. (9 kg)	Pack count:	2 units/carton

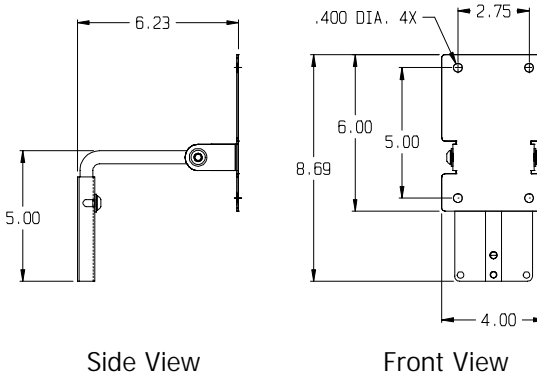
Package Contents:

- 2 pcs. Wall plate
- 2 pcs. Support arm
- 2 pcs. Speaker adapter plate
- 1 pc. Hardware kit

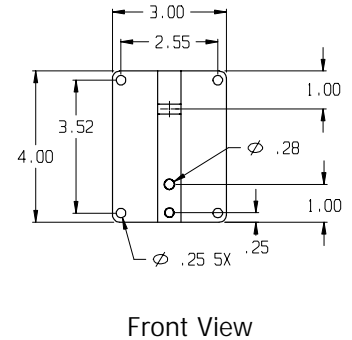
Hardware for mounting to the wall or ceiling structure is not included.



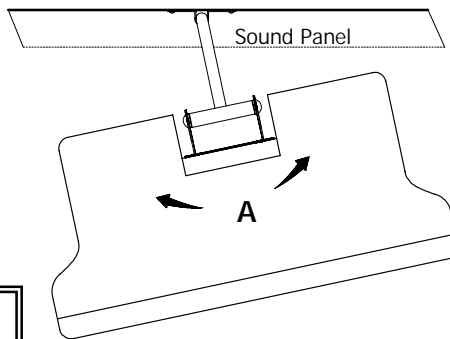
MultiMount-015 Assembly



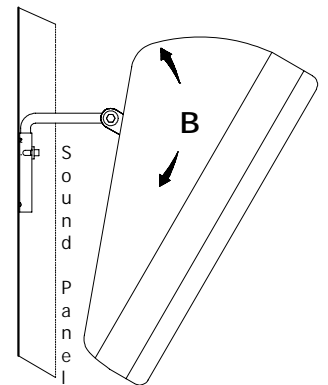
Wall Plate



Pan Rotation



Tilt Rotation



Pan Rotation (A)	Tilt Rotation (B)
12° max. per side	@ 00° Tilt
18° max. per side	@ 20° Down tilt
8° max. per side	@ 30° Down tilt

Tilt and pan rotations are based on a 2.5 inches deep sound isolation panel/drape.

Warning:
Mounting and/or rigging loudspeakers requires experienced professionals. Improperly installed loudspeakers can result in property damage, personal injury and/or liability to the installing contractor