

Technical Manual



JBL VTX-S28

SPECIFICATIONS

ACOUSTIC & ELECTRICAL SPECIFICATIONS:

- Nominal Section:
 - Impedance: 2 x 8 Ohms
- Continuous Power
 - Rating: 4000W
- Frequency
 - Response: 27 Hz - 300 Hz (± 3 dB)
- Frequency Range: 24 Hz - 400Hz (-10 dB)
- System Sensitivity: 96 dB (1 watt @ 1 meter)

SYSTEM COMPONENTS:

- Cabinet: C-VTX-S28
- Grille: Center Grille 5014960, Side Grille 5014959 (2)
- Low Frequency
 - (2) 2269H, 460 mm (18 in) dia., 100mm (4 in) Dual Coil, Differential Drive^(R), Direct Cooled
- DC Resistance: 4.8 ohms $\pm 10\%$
- Input Connector: 5014967

AURAL SWEEP TEST SPECIFICATIONS:

A. System Aural Sweep Test: 10.0V Input, 10 to 200 Hz

Component Free Air Sweep Test:

B. L.F. Sweep Test: 20.0V Input, 10 Hz to 300 Hz

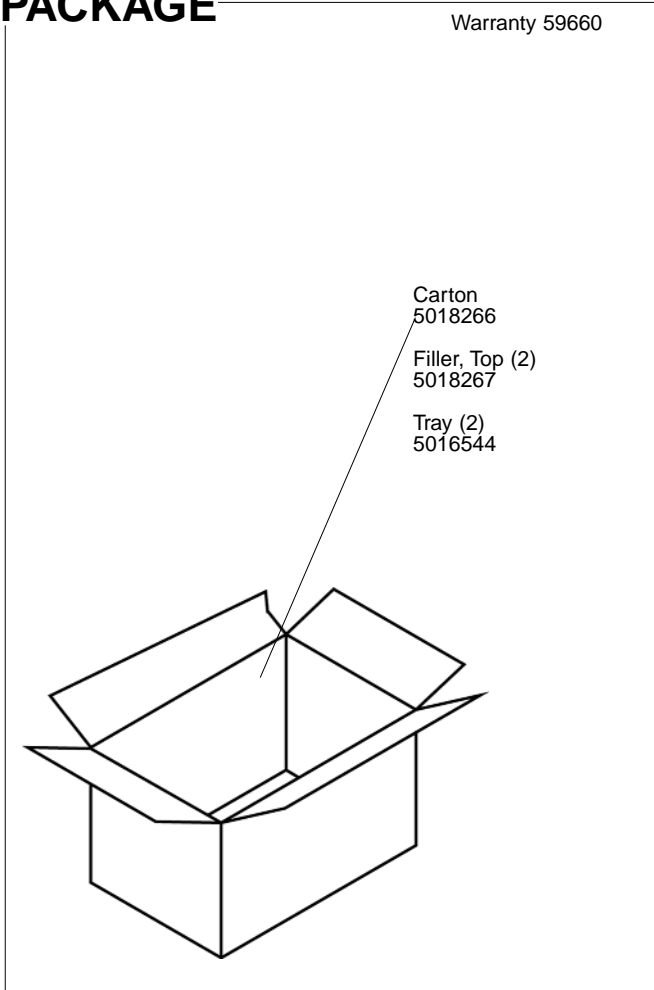
PHYSICAL SPECIFICATIONS:

- Enclosure Dimensions: 1222 x 493.3 x 926.5 mm (W x H x D) (48.1 x 19.4 x 36.5 in.)
- Net Weight: 183 lb (83.0 kg)

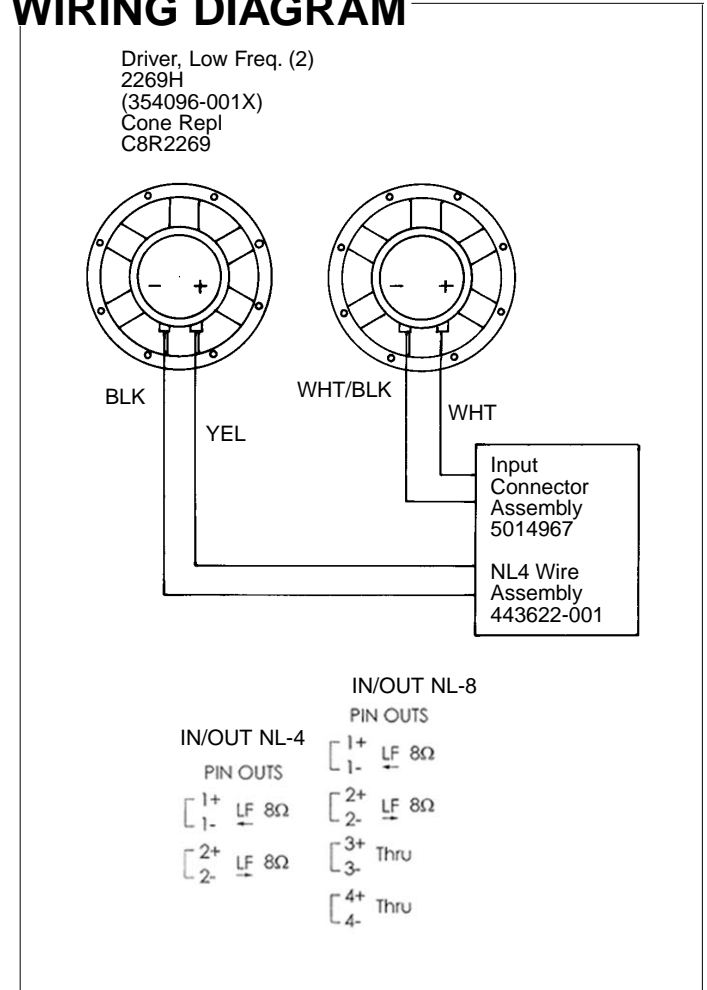
WARRANTY INFORMATION:

- Refer to Warranty Statement packed with each product.

PACKAGE



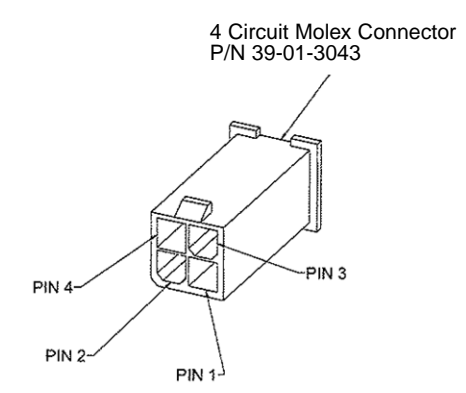
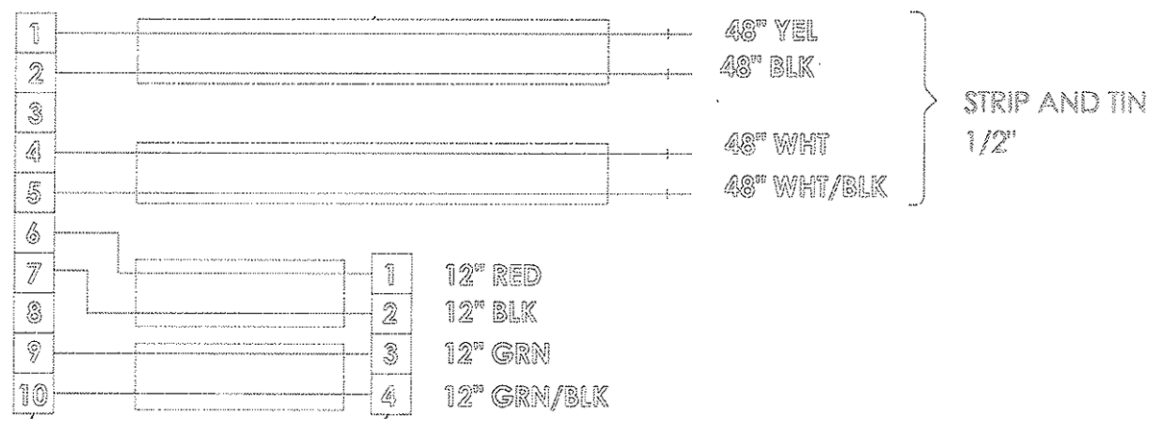
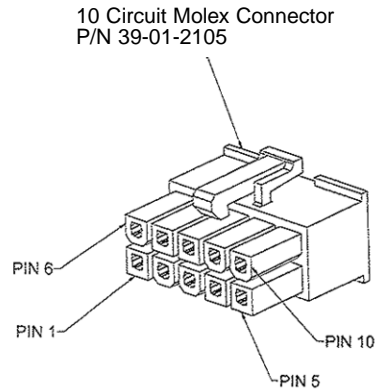
WIRING DIAGRAM



JBL VTX-S28 REV A

JBL VTX-S28

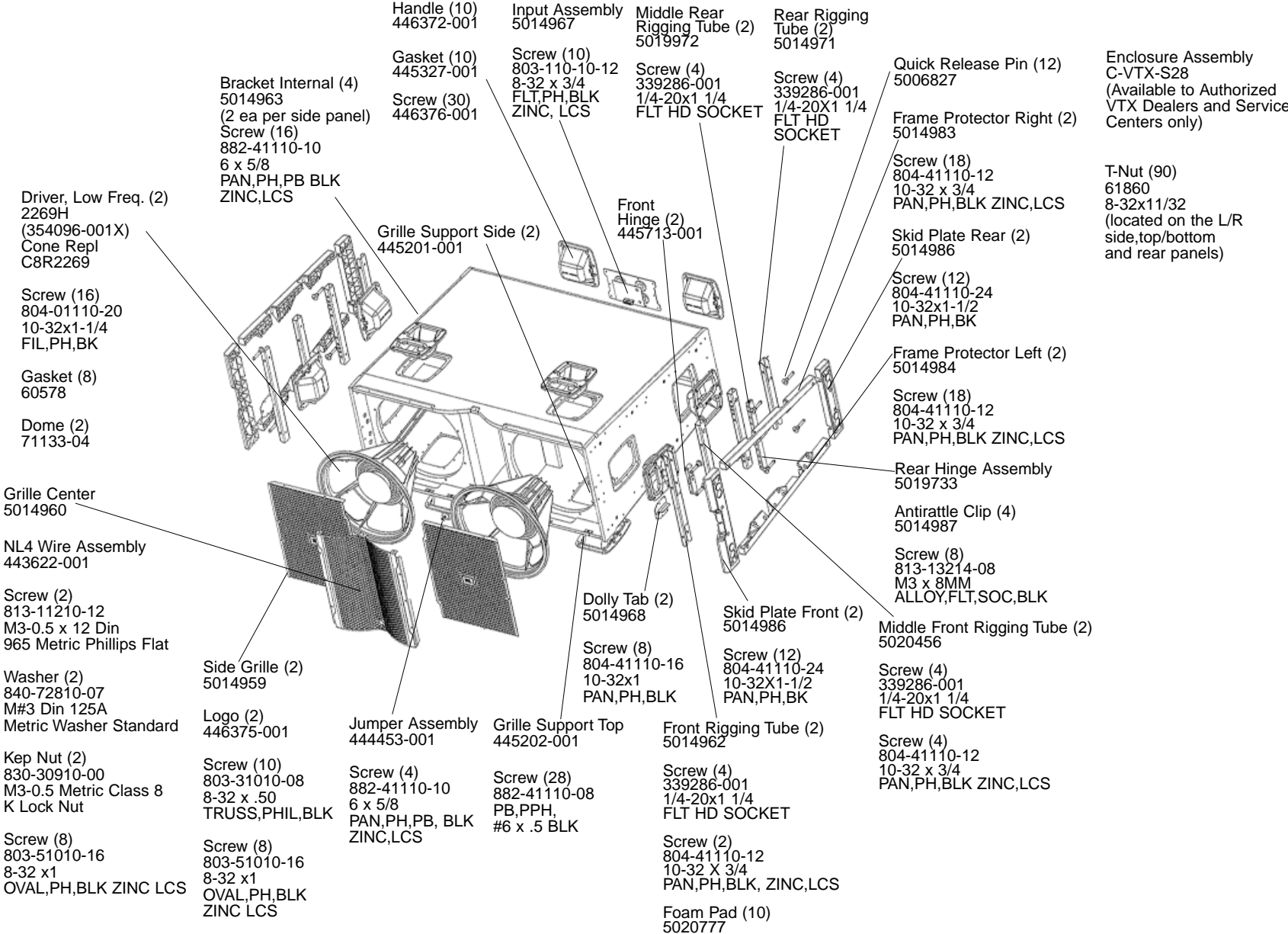
WIRE ASSEMBLY DIAGRAM



JBL VTX-S28

JBL VTX-S28

COMPONENT EXPLODED VIEW



JBL VTX-S28