

Technical Manual



JBL VTX-G28

SPECIFICATIONS

ACOUSTIC & ELECTRICAL SPECIFICATIONS:

- Nominal Section:
 - Impedance: 2 x 8 Ohms
- Continuous Power
 - Rating: 4000W
- Frequency
 - Response: 27 Hz - 120 Hz (± 3 dB)
- Frequency Range: 22 Hz - 160 Hz (-10 dB)
- System Sensitivity: 95 dB
(1 watt @ 1 meter)

SYSTEM COMPONENTS:

- Cabinet: C-VTX-G28
- Grille: Center Grille 5014960, Side Grille 5014959 (2)
- Low Frequency
 - (2) 2269H, 460 mm (18 in) dia., 100mm (4 in)
 - Dual Coil, Differential Drive[®], Direct Cooled
- DC Resistance: 4.8 ohms \pm 10%
- Input Connector: 5016545

AURAL SWEEP TEST SPECIFICATIONS:

A. System Aural Sweep Test: 10.0V Input, 10 Hz to 200 Hz

Component Free Air Sweep Test:

B. L.F. Sweep Test: 20.0V Input, 10 Hz to 300 Hz

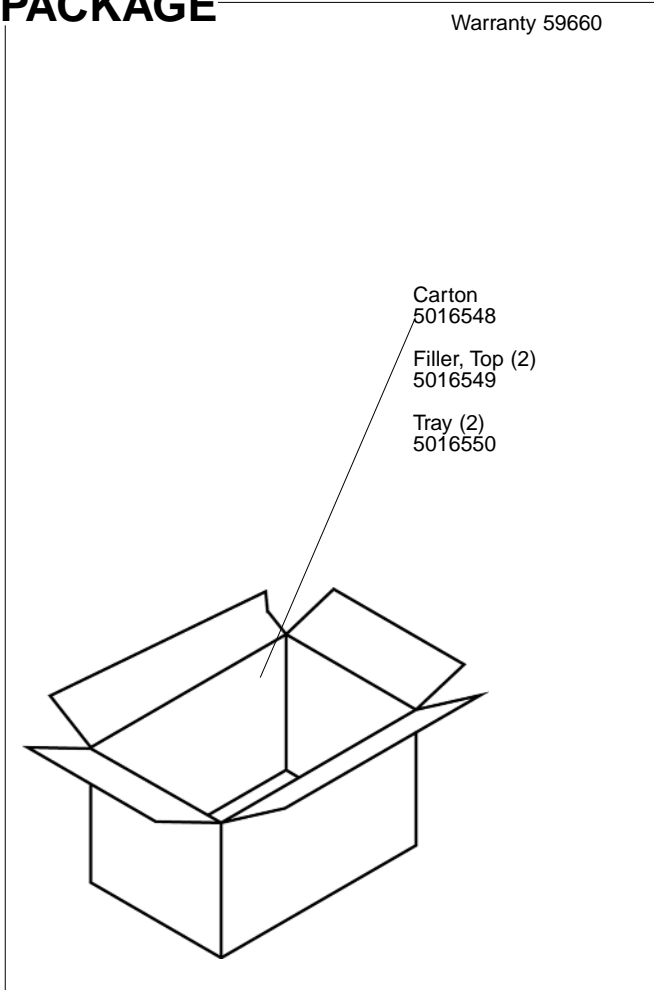
PHYSICAL SPECIFICATIONS:

- Enclosure Dimensions: 1210.8 x 493.3 x 1211.1 mm
(W x H x D) (47.7 x 19.4 x 47.7 in.)
- Net Weight: 204 lb (92.5 kg)

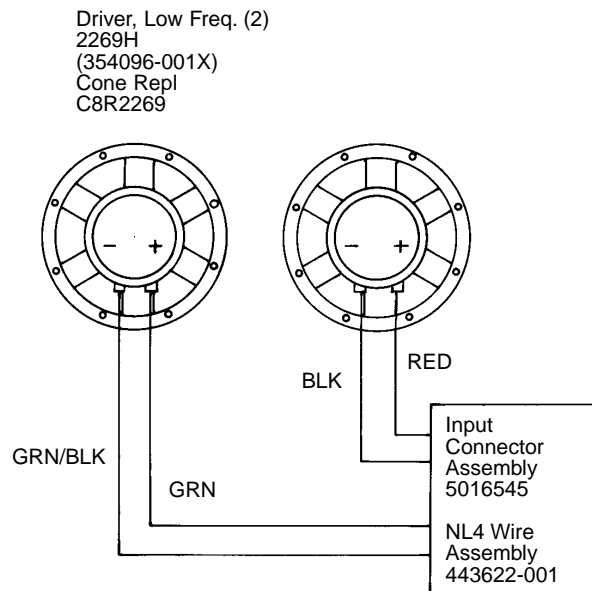
WARRANTY INFORMATION:

- Refer to Warranty Statement packed with each product.

PACKAGE



WIRING DIAGRAM

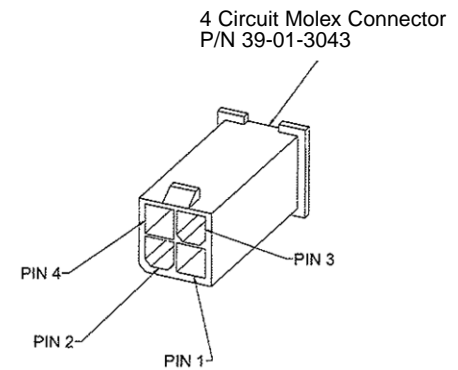
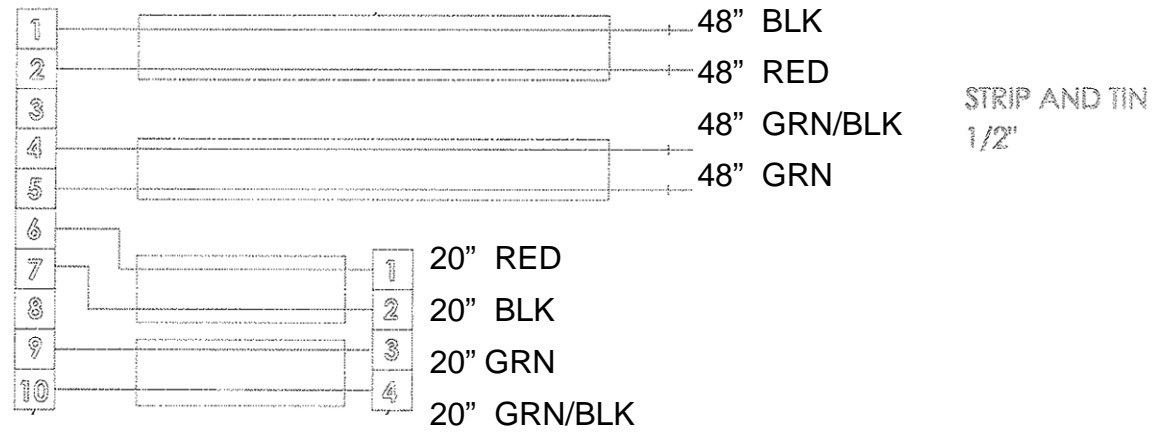
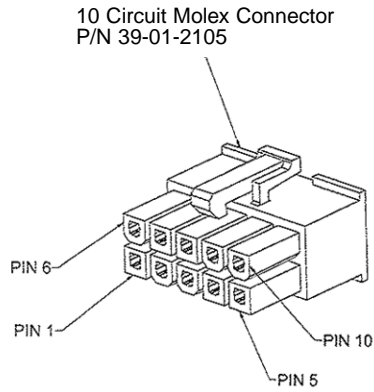


IN/OUT NL-4	IN/OUT NL-8
	PIN OUTS
[1+ LF 8 Ω	[1+ LF 8 Ω
[1- LF 8 Ω	[1- LF 8 Ω
[2+ LF 8 Ω	[2+ LF 8 Ω
[2- LF 8 Ω	[2- LF 8 Ω
	[3+ Thru
	[3- Thru
	[4+ Thru
	[4- Thru

JBL VTX-G28 REV A

JBL VTX-G28

WIRE ASSEMBLY DIAGRAM



JBL VTX-G28

COMPONENT EXPLODED VIEW

